

BRISTLE BLASTER® CORDLESS

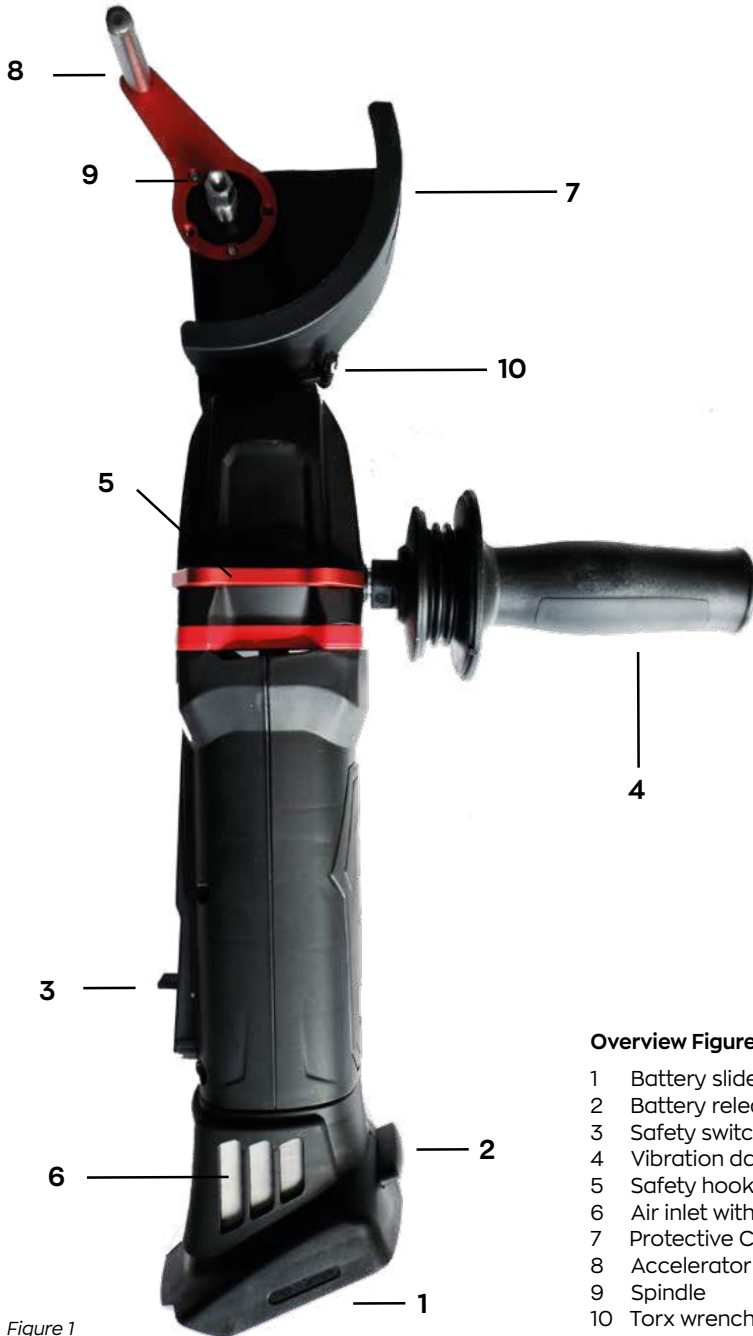


**PREPARATION
FROM
SCRATCH**





3	EN
15	DE
28	ES
40	FR
52	NL
64	PT



Overview Figure 1

- 1 Battery slide
- 2 Battery release switch
- 3 Safety switch
- 4 Vibration damping handle
- 5 Safety hook
- 6 Air inlet with Air vents filter cap
- 7 Protective Cap
- 8 Accelerator Bar
- 9 Spindle
- 10 Torx wrench

Figure 1

Dear customer!

MontiPower® thanks you for the purchase of one of its products and invites you to read these operating instructions, which contains all the necessary information for the correct use of the tool. It is therefore recommended to read the instructions completely and to follow the information therein. Please keep the manual in good condition. The contents of this manual may be changed without notice and without the implication of any additional obligations. Therefore any changes / improvements can be read as additions to this version. It is forbidden to copy or translate any part of this manual without the prior written approval of the manufacturer.

Technical Data: Bristle Blaster® Cordless (*1) Serial number)

Specifications	Value Unit
Weight	2,2 kg 4,9 lbs
Belt diameter (outer)	110 mm
Output	700 W
Torque	0.7 Nm
Idle speed (±5%)	2,300 rpm
Vibration	4 m/sec ²
Required battery, voltage	CAS (Cordless Alliance System), LiHD 18 V
Sound pressure level	< 80 dB(A)



*2) 2006/42/EG, 2014/35/EU, 2014/30/EU

*3) DIN EN 60745-2-3 (VDE 0740-2-3)

Original instructions**1. Declaration of Conformity**

We declare under our sole responsibility: These Bristle Blasters®, identified by type and serial number *1), comply with all relevant requirements of the directives *2) and standards *3).

2. Specified Use

The machines, with original MontPower® accessories, are suitable for surface preparation simultaneously creating cleanliness and anchor profile. The machine can be equipped with the standard 23mm wide belt as well as the 11mm wide belt. Special care in regards to brush pressure has to be taken when using the 11mm belt.

The user bears sole responsibility for any damage caused by improper use. Generally accepted accident prevention regulations and the enclosed safety information must be observed.

3. General Safety Instructions



For your own protection and for the protection of your electrical tool, pay attention to all parts of the text that are marked with this symbol!

WARNING – Reading the operating instructions will reduce the risk of injury.



WARNING Read all safety warnings and instructions. Failure to follow all safety warnings and instructions may result in electric shock, fire and/or serious injury.



Keep all safety instructions and information for future reference. Pass on your electrical tool only together with these documents.

4. Special Safety Instructions

- 4.1 **Safety Warnings Common for the use of Rotary Impact Tool Operations:**
- a) This power tool is intended to function as Rotary Impact Tool. Read all safety warnings, instructions, illustrations and specifications provided with this power tool. Failure to follow all instructions listed below may result in electric shock, fire and/or serious injury.
 - b) No other operation than Rotary Impact Surface Preparation / Bristle Blasting shall be performed with this power tool. Operations for which the power tool was not designed may create a hazard and cause personal injury.
 - c) Only use MontiPower Bristle Blaster® Belts and MontiPower® Adaptor Systems with this tool. Do not use accessories which are not specifically designed and recommended by the tool manufacturer. Just because the accessory can be attached to your power tool, it does not assure safe operation.
 - d) Do not use a damaged Bristle Blaster® Belt or Adaptor System, inspect before use.
 - e) After replacement of the Bristle Blaster® Belt, check Adaptor System for correct assembly.
 - f) After fitting accessories such as the Adaptor System and Bristle Blaster® Belt, always remove Allen key / Torx wrench. Always ensure the Allen key / Torx wrench is removed prior to switching on the tool.
 - g) On setting down the tool on a bench or on the floor, the label must always point upward.
 - h) If the tool is not in use, disconnect from the power supply and store in a suitable, dry place to prevent unintentional or unauthorised use in the absence of an authorised individual.
 - i) In use, always hold by the tool body and the vertical handle.
 - j) Use Bristle Blaster® Belt in the correct operating direction (Figure 3).
 - k) The Bristle Blaster® Belt can produce sparks on machining hard surfaces.
 - l) If the tool suddenly feels different (level of vibration) or produces a different noise (pitch), the tool should be shut down immediately and the accessories such as the Adaptor System, Bristle Blaster® Belt checked for damage.
 - m) Wear personal protective equipment. Depending on application, use face shield, safety goggles or safety glasses. As appropriate, wear dust mask, hearing protectors, gloves and workshop apron capable of stopping small abrasive or workpiece fragments. The eye protection must be capable of stopping flying debris

generated by various operations. The dust mask or respirator must be capable of filtering particles generated by your operation. Prolonged exposure to high intensity noise may cause hearing loss.

- n) **Keep bystanders a safe distance away from work area. Anyone entering the work area must wear personal protective equipment.** Fragments of workpiece or of a broken accessory may fly away and cause injury beyond immediate area of operation.
- o) **Hold power tool by insulated gripping surfaces only, when performing an operation where the Bristle Blaster® Belt may contact hidden wiring.** The Bristle Blaster® Belt contacting a "live" wire may make exposed metal parts of the power tool "live" and could give the operator an electric shock.
- p) **Never lay the power tool down until the accessory has come to a complete stop.** The spinning accessory may grab the surface and pull the power tool out of your control.
- q) **Do not run the power tool while carrying it at your side.** Accidental contact with the spinning Bristle Blaster® Belt could snag your clothing, pulling the accessory into your body.
- r) Ensure the air vents filter cap is in place, **(Figure 2)**. The air vent filter cap can be removed for cleaning by simply pulling it away from the toolbody.
- s) **Regularly clean the power tool's air vents (Figure 2)**. The motor's fan will draw the dust inside the housing and excessive accumulation of powdered metal may cause electrical hazards. The air vent cap may be removed for cleaning, use non-metallic objects only.
- t) **Do not operate the power tool near flammable materials.** Sparks could ignite these materials.
- u) **Do not use any liquid coolants.** Using water or other liquid coolants may result in electrocution or shock.

4.2 Kickback and Related Warnings

Kickback is a sudden reaction to a rotating wheel which can cause rapid stalling of the rotating Bristle Blaster® Belt which in turn causes the uncontrolled power tool to be forced in the direction opposite of the Bristle Blaster® Belt's rotation.

- a) **Maintain a firm grip on the power tool and position your body and arm to allow you to resist kickback forces. Always use auxiliary handle, if provided, for maximum control over kickback or torque reaction during start-up.** The operator can control torque reactions or kickback forces, if proper precautions are taken.
- b) **Never place your hand near the rotating Bristle Blaster® Belt.** Accessory may kickback over your hand.
- c) **Do not position your body in the area where power tool will move if kickback occurs.** Kickback will propel the tool in direction opposite to the Bristle Blaster® Belt's movement at the point of snagging.
- d) **Use special care when working corners, sharp edges etc. Avoid bouncing and snagging the Bristle Blaster® Belt.** Corners, sharp edges or bouncing have a tendency to snag the rotating Bristle Blaster® Belt and cause loss of control or kickback, damage of the Bristle Blaster® Belt and even brake of the tooth belt.
- e) **Do not attach any other belt or Adaptor System than the ones provided by the manufacturer.**



Figure 2



Figure 3



Figure 4



4.3 Additional Safety Instructions



WARNING – Always wear protective goggles.

- Accessories must be stored and handled with care in accordance with the manufacturer's instructions.
- The workpiece must lay flat and be secured against slipping, e.g. using clamps. Large workpieces must be sufficiently supported.
- Damaged, eccentric or vibrating tools must not be used.
- Disconnect the battery before making any adjustments, converting or servicing the machine.
- A damaged or cracked handle must be replaced. Never operate a machine with a defective handle.
- A damaged or cracked Protective Cap must be replaced.

Reducing dust exposure:



WARNING - Some dust created by the MontiPower® Bristle Blasting process may contain chemicals known to cause cancer, birth defects or other reproductive harm. Some examples of these chemicals are:

- Lead from lead-based paints,
- Crystalline silica from bricks and cement and other masonry products, and
- Arsenic and chromium from chemically treated lumber.

Your risk from these exposures varies, depending on how often you do this type of work. To reduce your exposure to these chemicals: work in a well ventilated area, and work with approved safety equipment, such as those dust masks that are specially designed to filter out microscopic particles.

This also applies to dust from other materials such as some timber types (like oak or beech dust), metals, asbestos. Other known diseases are e.g. allergic reactions, respiratory diseases. Do not let dust enter the body.

Observe the relevant guidelines and national regulations for your material, staff, application and place of application (e.g. occupational health and safety regulations, disposal).

Collect the particles generated at the source, avoid deposits in the surrounding area. Use suitable accessories for special work. In this way, fewer particles enter the environment in an uncontrolled manner.

Use a suitable extraction unit.

Reduce dust exposure with the following measures:

- do not direct the escaping particles and the exhaust air stream at yourself or nearby persons or on dust deposits,
- use an extraction unit and/or air purifiers,
- ensure good ventilation of the workplace and keep clean using a vacuum cleaner
Sweeping or blowing stirs up dust.
- Vacuum or wash the protective clothing. Do not blow, beat or brush.

5. Initial Operation



Please ensure the correct battery is fitted onto the unit. Specific info is listed on the label at the bottom of the tool.



Always install 18V and fully charged batteries.

5.1 Attaching the Vibration Damping handle



Always work with the Vibration Damping handle (4) attached! Attach the handle on the top or bottom side of the machine, depending on working position, and secure. See **Figure 5**.



Figure 5

5.2 Attaching the Protective Cap



Always work with the Protective Cap (7) attached.

Installing:

Slide the Protective Cap (7) over the cams on de front end as shown below and secure by tightening the screw on the side. See **Figure 6**.

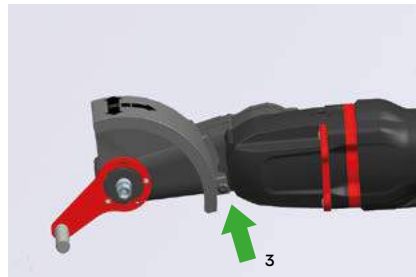
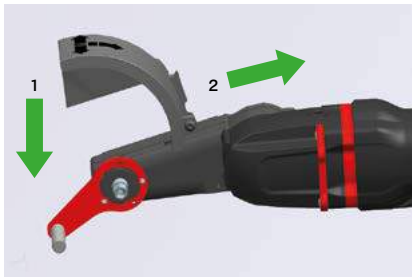


Figure 6

6. Fitting the Adaptor System



Disconnect the battery from the unit before changing the belt or Adaptor System. The machine must be switched off and the spindle at a standstill.

6.1 Positioning the accessory

See illustration below (**Figure 7**).

- a. Fasten Bristle Blaster® Belt correctly to the tool using the related MontiPower® Adaptor System (pay attention to rotating direction) and the related serrated lock washer and screw.



Figure 7

- b. For Bristle Blaster® stainless steel belt only use stainless steel Accelerator Bar.
- c. Before you attach the battery to operate the tool, you must check that it is possible to actuate the dead man's switch correctly and that the switch returns to the "OFF" position when you release the pressure on the dead man's switch.
- d. To start the tool, you must release the safety clip by pushing it backwards and push the dead man's switch (**Figure 8**).



Figure 8

- e. To stop the tool, you must simply release the pressure on the dead man's switch. When attaching the battery ensure the dead man's switch is not activated (**Figure 9**).



Figure 9

- f. Hold tool by the tool body and the vertical handle at the same time.
- g. To obtain the best performance, ensure the Accelerator Bar is maintained approximately 10mm from the work surface. If the Accelerator Bar is too far from the surface, the performance will drop significantly. **See Figure 4.** For a more detailed description of the function of the Bristle Blaster® visit www.montipower.com
- h. Always work with adequate contact pressure. Excessive contact pressure will limit the performance and cause damage to the MontiPower Bristle Blaster® Belt and tooth belt.

7. Use

7.1 Setting speed

The rotating speed is preset and fixed at 2,300 rpm to ensure optimal performance. The VTC electronics make material-compatible work possible and an almost constant speed, even under load.

7.2 Switching On and Off



Always guide the machine with both hands.



Switch on first, then guide the accessory towards the workpiece.



The machine must not be allowed to draw in additional dust and shavings. When switching the machine on and off, keep it away from dust deposits. After switching off the machine, only place it down when the motor has come to a standstill.

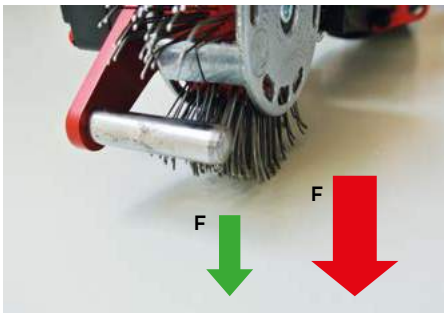
7.3 Working instructions



Press down lightly on the machine and move over the surface by making oscillating movements.



Correct direction of operation.



Less contact pressure = longer service life and higher performance.

Note that excessive pressure will lead to damaging the Bristle Blaster® Belt and even break of tooth belt.

8. Cleaning

Motor cleaning: Holding the machine firmly, blow compressed air through the rear ventilation slots of the machine regularly, **Figure 2**, frequently and thoroughly.

9. Troubleshooting

9.1 Battery powered machines:

- **Overload protection: There is a MAJOR reduction in load speed.** The motor temperature is too high! Allow the machine to run at idle speed until it has cooled down.
- **Overload protection: There is a SLIGHT reduction in load speed.** The machine is overloaded. Reduce the load before continuing to work.
- **S-automatic safety shutdown: The machine was SWITCHED OFF automatically.** If the slew rate of the current is too high (for example, if the machine suddenly seizes or kickback occurs), the machine switches off. Release the dead man's switch to switch off the machine. Switch it on again and continue to work as normal.
- **Machine is running but Bristle Blaster® Belt does not rotate.** The toothbelt is broken or heavily damaged and needs to be replaced. See Chapter 11, Repairs.
- **Machine is running but no or limited roughness is created.** The positioning of the Bristle Blaster® Belt onto the object is incorrect, or the Bristle Blaster® Belt is worn out and needs to be replaced.

10. Accessories

Use only genuine MontiPower® accessories.

Use only accessories which fulfil the requirements and specifications listed in these operating instructions. For a complete range of accessories, see www.montipower.com.

11. Repairs



Repairs to electrical tools must be carried out by qualified electricians ONLY!
Contact your local MontiPower® representative if you have MontiPower® power tools requiring repairs.

You can download specific repair instructions and a list of spares and assemblies from www.montipower.com.

12. Environmental Protection



The dust generated by the Bristle Blaster® process may contain hazardous materials: do not dispose of with the household waste, but at a special collection point for hazardous waste.

Observe national regulations on environmentally compatible disposal and on the recycling of disused machines, packaging and accessories. Only for EU countries: Never dispose of power tools and or its batteries in your household waste! In accordance with European Guideline 2012/19/EU on used electronic and electric equipment and its implementation in national legal systems, used power tools must be collected separately and handed in for environmentally compatible recycling.

13. Technical Specifications



Emission values

These values make it possible to assess the emissions from the power tool and to compare different power tools. Depending on the operating conditions, the condition of the power tool or the accessories, the actual load may be higher or lower. For assessment purposes, please allow for breaks and periods when the load is lower. Based on the adjusted estimates, arrange protective measures for the user e.g. organisational measures.

Vibration total value (vector sum of three directions) determined in accordance with EN 60745:

$a_{h,p}$ = Vibration emission value (polishing) $K_{h,p}$ = Uncertainty (vibration)
 Typical A-effective perceived sound levels: L_{pA} = Sound pressure level
 L_{WA} = Acoustic power level K_{pA} K_{WA} = Uncertainty

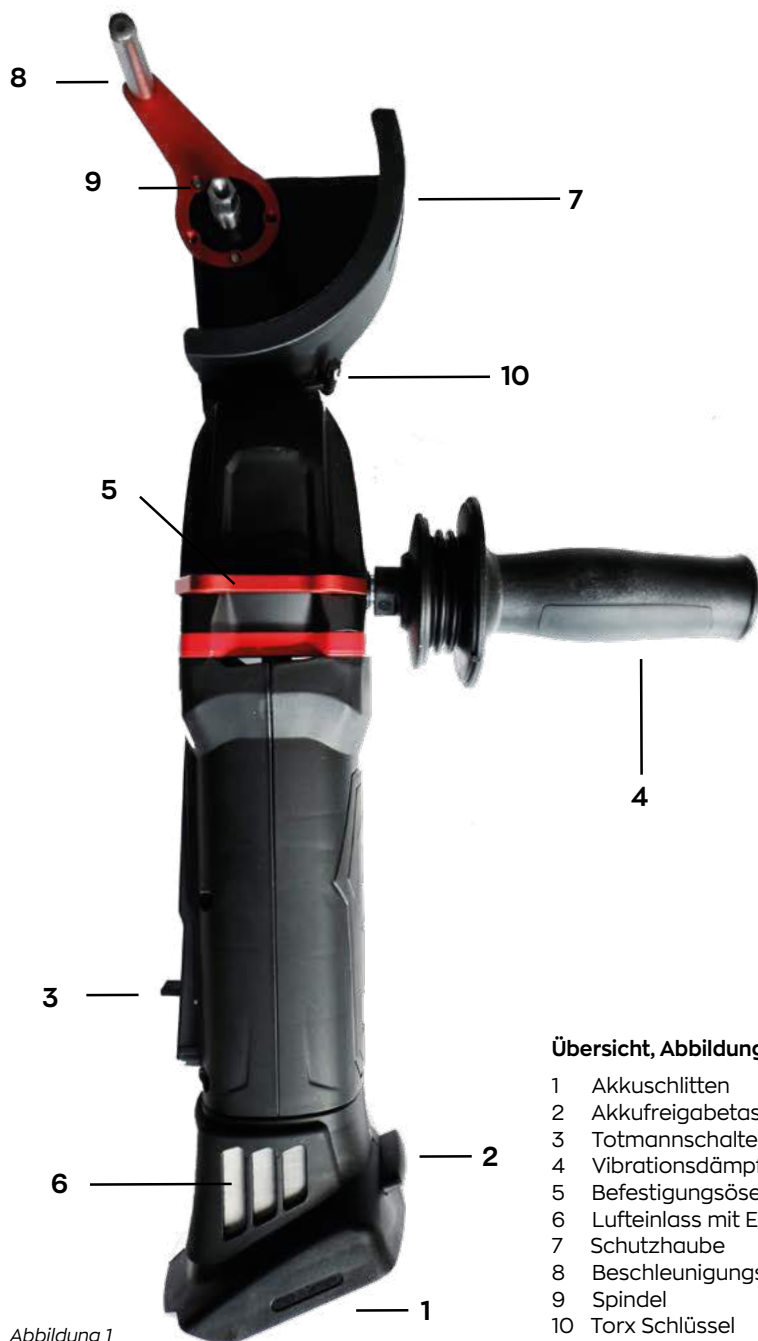
During operation the noise level can exceed 80 dB(A).

Wear ear protectors!



Problems, faults:

In individual cases, the speed may fluctuate temporarily if the machine is exposed to extreme external electromagnetic disturbances or the electronic restart protection may respond. In this case, switch the machine off and on again.



Übersicht, Abbildung 1

- 1 Akkuschlitten
- 2 Akkufreigabetaste
- 3 Totmannschalter
- 4 Vibrationsdämpfender Griff
- 5 Befestigungsöse
- 6 Lufteinlass mit Entlüfterfilterkappe
- 7 Schutzhaube
- 8 Beschleunigungsstab
- 9 Spindel
- 10 Torx Schlüssel

Abbildung 1

Sehr geehrter Kunde!

MontiPower® dankt Ihnen für den Kauf dieses Produktes und bittet Sie, diese Betriebsanleitung, die notwendige Informationen für eine korrekte Nutzung des Werkzeugs enthält, zu lesen. Es wird empfohlen, die Anweisungen vollständig zu lesen und die hier enthaltenen Informationen zu befolgen. Bitte halten Sie das Handbuch in einem guten Zustand. Der Inhalt dieses Handbuchs kann ohne Vorankündigung geändert werden, ohne dass dies zusätzliche Verpflichtungen mit sich bringt. Jegliche Änderungen / Verbesserungen sind als Zusätze zu dieser Version zu verstehen. Die Vervielfältigung oder Übersetzung eines Teils dieses Handbuchs ohne die vorherige schriftliche Genehmigung des Herstellers ist verboten.

Technische Daten: Bristle Blaster® Cordless (*1) Seriennummer)

Specifications	Value Unit
Gewicht	2,2 kg 4,9 lbs
Banddurchmesser (außen)	110 mm
Leistungsaufnahme	700 W
Drehmoment	0,7 Nm
Bemessungsdrehzahl (±5 %)	2.300 Upm
Vibration	4 m/sec ²
Erforderlicher Akku, Spannung	CAS (Cordless Alliance System), LiHD 18 V
Schalldruckpegel	< 80 dB(A)



*2) 2006/42/EG, 2014/35/EU, 2014/30/EU

*3) DIN EN 60745-2-3 (VDE 0740-2-3)

Originalanleitung

1. Konformitätserklärung

Hiermit erklären wir in alleiniger Verantwortung: Diese Bristle Blasters®, die durch Typ und Seriennummer *1) gekennzeichnet sind, entsprechen allen einschlägigen Anforderungen der Richtlinien *2) und Normen *3).

2. Verwendungszweck

Die Maschinen einschließlich des Original-MontiPower®-Zubehörs sind für eine Oberflächenvorbereitung geeignet und sorgen gleichzeitig für Sauberkeit und ein Rautiefenprofil. Die Maschine kann mit einem 23 mm und einem 11 mm breiten Standardband ausgestattet werden. Bei Verwendung des 11 mm Bandes ist besonders auf den Bürstendruck zu achten.

Der Nutzer trägt die alleinige Verantwortung für jeglichen Schaden, der durch eine unsachgemäße Nutzung verursacht wird. Die allgemein anerkannte Unfallverhütungsvorschriften sowie die beigefügten Sicherheitshinweise sind zu beachten.

3. Allgemeine Sicherheitshinweise



Achten Sie zu Ihrem eigenen Schutz sowie zum Schutz Ihrer Elektrowerkzeuge auf alle Textpassagen, die mit diesem Symbol gekennzeichnet sind!

WARNUNG - Durch Lesen der Betriebsanleitung kann das Verletzungsrisiko reduziert werden.



WARNUNG - Lesen Sie alle Sicherheitswarnungen und -hinweise. Eine Nichteinhaltung der Sicherheitswarnungen und -hinweise kann zu Stromschlägen, Feuer und/oder ernsthaften Verletzungen führen.



Bewahren Sie alle Sicherheitshinweise und -informationen zur späteren Verwendung auf. Geben Sie Ihr Elektrowerkzeug nur zusammen mit diesen Unterlagen weiter.

4. Besondere Sicherheitshinweise

4.1 Übliche Sicherheitswarnungen für die Nutzung:

- a) **Dieses Elektrowerkzeug wird als rotierendes Oberflächenvorbereitungswerkzeug genutzt. Lesen Sie alle zusammen mit diesem Elektrowerkzeug bereitgestellten Sicherheitswarnungen, Hinweise, Illustrationen und Spezifikationen.** Werden die nachfolgend aufgeführten Hinweise nicht befolgt, kann dies zu Stromschlägen, Feuer und/oder ernsthaften Verletzungen führen.
- b) **Es dürfen ausschließlich nur Oberflächenvorbereitungen durch Bristle Blasting mit diesem Werkzeug durchgeführt werden.** Tätigkeiten, für die dieses Elektrowerkzeug nicht ausgelegt ist, können eine Gefahr mit sich bringen und zu Personenschaden führen.
- c) **Benutzen Sie zusammen mit diesem Werkzeug ausschließlich MontiPower® Bristle Blaster® Bänder und MontiPower® Aufnahmesysteme. Benutzen Sie kein Zubehör, das nicht speziell vom Werkzeughersteller entwickelt und empfohlen wurde.** Auch wenn Zubehör an Ihr Elektrowerkzeug montiert werden kann, bedeutet dies nicht, dass eine sichere Nutzung gewährleistet ist.
- d) **Nutzen Sie kein beschädigtes Bristle Blaster® Band oder ein schadhafte Aufnahmesystem, prüfen Sie diese vor Nutzung.**
- e) Prüfen Sie nach Austausch des Bristle Blaster® Bands, ob das Aufnahmesystem korrekt montiert ist.
- f) **Entfernen Sie nach Einbau des Zubehörs, wie Aufnahmesystem oder Bristle Blaster® Band, immer den Inbusschlüssel / Torx Schlüssel.** Stellen Sie immer sicher, dass der Inbusschlüssel / Torx Schlüssel entfernt ist, bevor Sie das Gerät einschalten.
- g) **Legen Sie das Gerät mit dem Aufkleber nach oben auf eine Werkbank oder den Boden.**
- h) Wird das Werkzeug nicht benutzt, trennen Sie die Stromversorgung und lagern Sie es an einem geeigneten trockenen Ort, um eine unbeabsichtigte oder nicht gestattete Nutzung in Abwesenheit einer hierzu autorisierten Person zu verhindern.
- i) **Halten Sie das Werkzeug bei Benutzung immer am Werkzeugkörper und dem Handgriff fest.**

- j) Benutzen Sie das Bristle Blaster® Band in der korrekten Arbeitsrichtung **(Abbildung 3)**.
- k) **Das Bristle Blaster® Band kann beim Bearbeiten harter Oberflächen Funken erzeugen.**
- l) Sollte sich das Werkzeug plötzlich anders anfühlen (andere Vibration) oder ein anderes Geräusch verursachen (Töne), ist es sofort abzuschalten und Zubehör, wie das Aufnahmesystem, das Bristle Blaster® Band, ist auf Beschädigung zu prüfen.
- m) **Tragen Sie persönliche Schutzausrüstung. Nutzen Sie je nach Anwendung einen Gesichtsschutz, Sicherheitshandschuhe oder eine Schutzbrille. Tragen Sie, wie erforderlich, eine Staubmaske, Gehörschutz, Handschuhe und eine Werkstattschürze, die kleine Schleifsplitter oder vom Werkstück abgebrochene Splitter abhalten.** Der Augenschutz muss umher fliegende Schmutzteilchen, die durch die verschiedenen Tätigkeiten erzeugt werden, abhalten können. Die Staubmaske bzw. die Atemschutzmaske muss die durch den Betrieb erzeugten Partikel filtern können. Eine lang anhaltende Lärmbelastung kann zu einem Hörverlust führen.
- n) **Achten Sie darauf, dass daneben stehende Personen einen Sicherheitsabstand zum Arbeitsbereich einhalten. Alle Personen, die sich im Arbeitsbereich befinden, müssen persönliche Schutzausrüstung tragen.** Splitter des Werkstücks oder beschädigtes Zubehör kann wegfiegen und über den direkten Betriebsbereich hinaus Verletzungen verursachen.
- o) **Halten Sie das Elektrowerkzeug während eines Betriebes, bei dem ein Kontakt des Bristle Blaster® Bands mit einem nicht sichtbaren Kabel möglich ist, ausschließlich an isolierten Griffflächen fest.** Durch Kontakt des Bristle Blaster® Bands mit einer „unter Strom stehenden“ Leitung können auch freiliegende Metallflächen des Elektrowerkzeugs „unter Strom“ gesetzt werden, was dazu führen kann, dass der Bediener einen Stromschlag erleidet.
- p) **Legen Sie das Werkzeug erst ab, wenn das Zubehör vollständig still steht.** Sich bewegendes Zubehör kann sich in die Oberfläche fressen und einen Kontrollverlust über das Werkzeug mit sich bringen.
- q) **Lassen Sie das Elektrowerkzeug niemals während des Tragens laufen.** Ein unbeabsichtigter Kontakt mit dem sich drehenden Bristle Blaster® Band kann dazu führen, dass dieses sich in Ihrer Kleidung verfängt und das Zubehör in Ihren Körper schneidet.
- r) Stellen Sie sicher, dass die Entlüfterfilterkappe vorhanden ist **(Abbildung 2)**. Die Entlüfterfilterkappe kann zu Reinigungszwecken durch einfaches Ziehen vom Werkzeugkörper entfernt werden.
- s) **Reinigen Sie die Entlüftungsdüsen des Elektrowerkzeugs in regelmäßigen Abständen (Abbildung 2).** Das Motorgebläse saugt Staub in das Gehäuse und eine übermäßige Metallstaub kann zu elektrischen Gefahren führen. Die Entlüfterkappe kann zu Reinigungszwecken entfernt werden, benutzen Sie ausschließlich nichtmetallische Gegenstände.
- t) **Benutzen Sie das Elektrowerkzeug nicht in der Nähe von brennbaren Materialien.** Funken könnten diese Materialien entzünden.
- u) **Benutzen Sie kein flüssiges Kühlmittel.** Die Verwendung von Wasser oder anderen flüssigen Kühlmitteln kann zu Stromschlägen führen.

4.2 Rückstoß und entsprechende Warnungen

Ein Rückstoß ist eine plötzliche Reaktion auf ein sich drehendes Rad, das eine schnelle Blockierung des sich drehenden Bristle Blaster® Bands verursachen kann, das wiederum bewirken kann, dass sich das unkontrollierte Elektrowerkzeug entgegengesetzt der Drehrichtung des Bristle Blaster® Bands bewegt.

- Halten Sie das Elektrowerkzeug gut fest und positionieren Sie Körper und Arm so, dass Sie die durch Rückstöße erzeugten Kräfte auffangen können. Benutzen Sie immer den Zusatzgriff, falls vorgesehen, für eine maximale Kontrolle der Rückstöße und des Gegenmoments während des Starts.** Der Bediener kann Gegenmomente oder Rückstöße kontrollieren, wenn geeignete Vorsichtsmaßnahmen ergriffen werden.
- Halten Sie Ihre Hände immer von dem sich drehenden Bristle Blaster® Band entfernt.** Das Zubehör kann über Ihre Hand zurückstoßen.
- Halten Sie Ihren Körper von dem Bereich entfernt, innerhalb dem sich das Elektrowerkzeug im Falle von Rückstößen bewegt.** Durch Rückstöße wird das Werkzeug in eine Richtung entgegen der Bewegungsrichtung des Bristle Blaster® Bandes über den Punkt, an dem dieses hängen bleibt, hinaus getrieben.
- Seien Sie besonders vorsichtig, wenn Sie in Ecken, an scharfen Kanten usw. arbeiten. Vermeiden Sie, dass das Bristle Blaster® Band abprallt oder hängen bleibt.** Ecken, scharfe Kanten oder im Falle eines Abprallens kann das sich drehende Bristle Blaster® Band hängen bleiben und zu einem Kontrollverlust oder einem Rückstoß führen. Eine Beschädigung des Bristle Blaster® Bands oder sogar der Bruch des Zahnriemens können die Folge sein.
- Montieren Sie kein anderes Band bzw. kein anderes Aufnahmesystem als das, welches vom Hersteller geliefert wurde.**



Abbildung 2



Abbildung 3

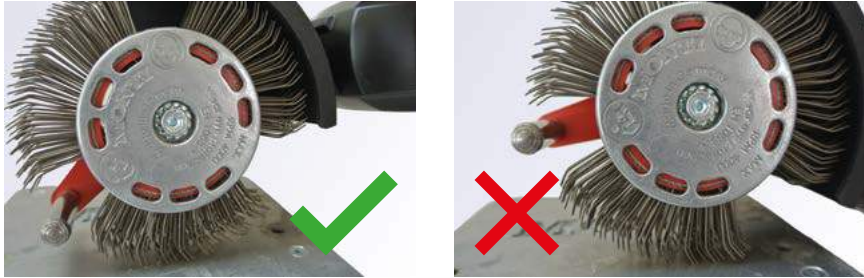


Abbildung 4

4.3 Zusätzliche Sicherheitshinweise



WARNUNG – Tragen Sie immer eine Schutzbrille.

- Das Zubehör muss sorgfältig gemäß den Anweisungen des Herstellers gelagert und gehandhabt werden.
- Das Werkstück muss flach liegen und z. B. mittels Klemmen gegen ein Verrutschen gesichert werden. Große Werkstücke müssen ausreichend unterstützt werden.
- Beschädigte, unrund rotierende oder vibrierende Werkzeuge dürfen nicht benutzt werden.
- Trennen Sie den Akku vor Durchführung von Anpassungen, Umbauten oder Wartung der Maschine vom Netz.
- Ein beschädigter oder defekter Griff muss ausgetauscht werden. Benutzen Sie niemals eine Maschine mit einem beschädigten Griff.
- Eine beschädigte oder defekte Schutzhaube muss ausgetauscht werden.

Reduzierung der Staubbelastung:



WARNUNG - Der beim Arbeiten erzeugte Staub kann möglicherweise Chemikalien beinhalten, von denen bekannt ist, dass sie Krebs, Fehlgeburten oder eine Schädigung der Fortpflanzungsfähigkeiten verursachen können.

Einige Beispiele für diese Chemikalien sind:

- Blei aus bleihaltiger Farbe,
- kristallines Siliziumdioxid aus Ziegeln und Zement und anderen Maurerprodukten,
- Arsen und Chrom aus chemisch bearbeitetem Nutzholz.

Die Gefahr einer Aussetzung variiert für Sie in Abhängigkeit davon, wie oft Sie diese Art Arbeiten ausführen. Zur Reduzierung Ihrer Gefährdung im Hinblick auf diese Chemikalien: Arbeiten Sie in einem gut belüfteten Bereich und nutzen Sie dabei die genehmigte Sicherheitsausrüstung, wie Staubmasken, die speziell zur Filterung mikroskopischer Partikel ausgelegt sind.

Dies gilt auch für Staub von anderen Materialien wie einigen Holzarten (z. B. Eichen- oder Buchenstaub), Metallen, Asbest. Andere bekannte Krankheiten sind z.B. allergische Reaktionen oder Atemwegserkrankungen. Verhindern Sie, dass Staub in Ihren Körper dringt.

Beachten Sie die einschlägigen Richtlinien und nationalen Vorschriften, die bezüglich Ihres Materials, Personals, der Anwendung und dem Anwendungsort gelten (z.B. die Vorschriften zur Gesundheit und Sicherheit am Arbeitsplatz, zur Entsorgung).

Sammeln Sie die erzeugten Partikel an der Quelle, vermeiden Sie eine Anhäufung in der Umgebung.

Benutzen Sie geeignetes Zubehör für spezielle Arbeiten. Hierdurch gelangen weniger Partikel unkontrolliert in die Umgebung.

Nutzen Sie eine geeignete Absauganlage.

Reduzieren Sie die Staubbelastung durch folgende Maßnahmen:

- Leiten Sie die austretenden Partikel und den Abluftstrom nicht direkt auf sich oder Personen in der Nähe oder auf Staubablagerungen.
- Benutzen Sie eine Absauganlage und/oder Luftreiniger.
- Stellen Sie eine gute Belüftung des Arbeitsplatzes sicher und reinigen Sie diesen mit einem Staubsauger, indem Sie aufgewirbelten Staub wegfegen oder wegblasen.
- Saugen Sie die Schutzkleidung ab oder waschen Sie sie. Vermeiden Sie ein Ausblasen, Ausschlagen oder Bürsten.

5. Inbetriebnahme



Stellen Sie sicher, dass der richtige Akku benutzt wird. Spezielle Informationen sind auf dem Aufkleber auf dem Werkzeugboden vorgesehen.



Benutzen Sie immer voll aufgeladene 18V-Akkus.

5.1 Befestigung des vibrationsdämpfenden Griffs



Arbeiten Sie immer mit montiertem vibrationsdämpfenden Griff (4)! Befestigen Sie den Griff an der Ober- oder Unterseite der Maschine je nach Arbeitsposition und fixieren Sie diesen. Siehe **Abbildung 5**.



Abbildung 5

5.2 Befestigung der Schutzkappe



Arbeiten Sie immer mit montierter Schutzhaube (7).

Installation:

Schieben Sie die Schutzhaube (7) über die Nocken am vorderen Ende, wie unten dargestellt, und fixieren Sie diese durch Anziehen der Schraube an der Seite. Siehe **Abbildung 6**.

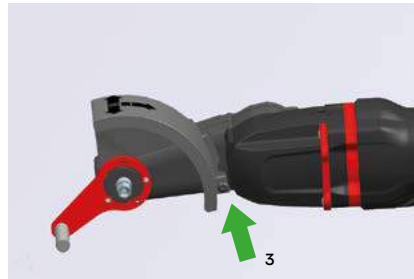
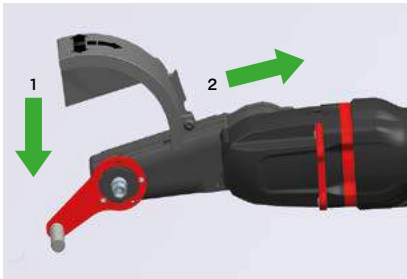


Abbildung 6

6. Montage des Aufnahmesystems



Entfernen Sie den Akku vom Gerät vor einem Wechsel des Bandes oder des Aufnahmesystems. Die Maschine muss ausgeschaltet sein und die Spindel still stehen.

6.1 Positionieren des Zubehörs

Siehe nachfolgende Darstellung (**Abbildung 7**).

- Befestigen Sie das Bristle Blaster® Band korrekt am Werkzeug mittels des entsprechenden MontiPower® Aufnahmesystems (achten Sie auf die Drehrichtung) sowie der zugehörigen Fächerscheibe und der Schraube.



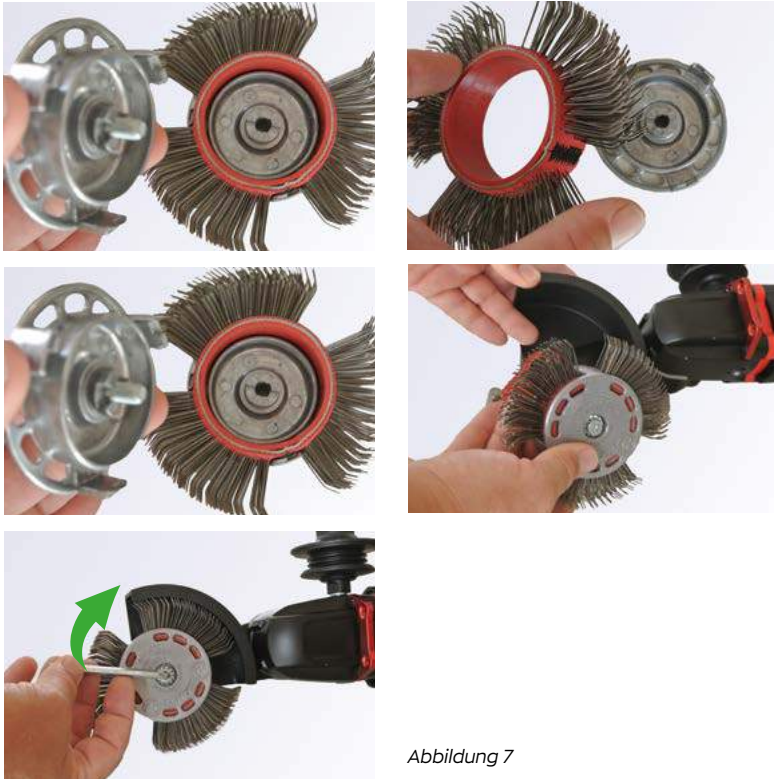


Abbildung 7

- b. Benutzen Sie für das Bristle Blaster® Edelstahlband ausschließlich einen Beschleunigungsstab aus Edelstahl.
- c. Vor Einlegen des Akkus ist zu prüfen, ob eine korrekte Betätigung des Totmannschalters möglich ist und ob sich der Schalter auf die Position „AUS“ (OFF) stellen lässt, wenn kein Druck auf den Totmannschalter ausgeübt wird.
- d. Lösen Sie den Sicherheitsclip zum Starten des Werkzeugs, indem Sie ihn nach hinten schieben, und betätigen Sie den Totmannschalter (**Abbildung 8**).



Figure 8

- e. Lassen Sie den Totmanschalter einfach los, um das Werkzeug zu stoppen. Wenn Sie die Batterie an Gerät anbringen, stellen Sie sicher, dass der Totmanschalter nicht aktiviert ist (**Abbildung 9**).



Abbildung 9

- f. Halten Sie das Werkzeug gleichzeitig am Werkzeugkörper und am Handgriff.
g. Stellen Sie sicher, dass der Beschleunigungsstab ca. 1 cm über der Arbeitsfläche gehalten wird, um die bestmögliche Leistung zu erhalten. Ist der Beschleunigungsstab zu weit von der Oberfläche entfernt, lässt die Leistung bedeutend nach. Siehe Abbildung 4. Eine detailliertere Beschreibung zur Funktion des Bristle Blasters® finden Sie unter www.montipower.com
h. Arbeiten Sie immer mit einem angemessenen Kontaktdruck. Ein übermäßiger Anpressdruck reduziert die Leistung und führt zu vorzeitigem Verschleiß oder Zerstörung des Bristle Blaster® Bandes und des Zahnriemens.

7. Verwendung

7.1 Drehzahleinstellung

Die Drehgeschwindigkeit ist auf 2.300 rpm voreingestellt, um eine optimale Leistung sicherzustellen. Die VTC Elektronik ermöglicht ein Arbeiten entsprechend dem Material bei fast konstanter Geschwindigkeit, auch unter Last.

7.2 Ein- und Ausschalten



Führen Sie die Maschine immer mit beiden Händen.



Schalten Sie sie erst ein, führen Sie dann das Gerät zum Werkstück.



Die Maschine darf keinen Staub und Späne einziehen. Halten Sie die Maschine beim Ein- und Ausschalten immer von Staubablagerungen entfernt. Legen Sie die Maschine nach dem Ausschalten erst ab, wenn auch der Motor stillsteht.

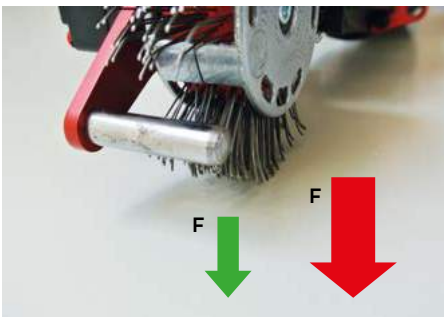
7.3 Richtige Arbeitsweise



Drücken Sie die Maschine leicht nach unten und bewegen Sie sie mit leicht schwingender Bewegung über die Oberfläche.



Korrekte Arbeitsrichtung.



Geringerer Kontaktdruck = längere Lebensdauer und höhere Leistung.

Bitte beachten Sie, dass ein übermäßiger Druck das Bristle Blaster® Band beschädigen und sogar zu einem Bruch des Zahnriemens führen kann.

8. Reinigung

Motorreinigung: Halten Sie die Maschine fest, blasen Sie in häufigen regelmäßigen Abständen sorgfältig Druckluft durch die hinteren Belüftungsschlitze der Maschine, **Abbildung 2**.

9. Fehlersuche

9.1 Akkubetriebene Geräte:

- **Überlastschutz: Die Lastgeschwindigkeit nimmt BEDEUTEND ab.** Die Motortemperatur ist zu hoch! Lassen Sie die Maschine im Leerlauf laufen, bis sie abgekühlt ist.
- **Überlastschutz: Die Lastgeschwindigkeit nimmt LEICHT ab.** Die Maschine ist überlastet. Verringern Sie die Last, um mit der Tätigkeit fortzufahren.
- **S-automatische Sicherheitsabschaltung: Die Maschine wurde automatisch AUSGESCHALTET.**

Wenn die Anstiegsrate des Stroms zu hoch ist (beispielsweise wenn die Maschine sich plötzlich fest frisst oder ein Rückstoß auftritt), schaltet die Maschine ab. Lösen Sie den Totmannschalter, um die Maschine abzuschalten. Schalten Sie sie wieder ein und fahren Sie normal mit der Arbeit fort.

- **Die Maschine läuft, aber das Bristle Blaster® Band dreht sich nicht.** Der Zahnriemen ist defekt oder schwer beschädigt und muss ausgetauscht werden. Siehe Kapitel 11, Reparaturen.
- **Die Maschine läuft, es wird aber gar keine oder nur eine begrenzte Rauheit erzeugt.** Die Positionierung des Bristle Blaster® Bandes auf dem Gegenstand ist nicht richtig oder das Bristle Blaster® Band ist verschlissen und muss ausgetauscht werden.

10. Zubehör

Benutzen Sie nur Original-MontiPower® Zubehör.

Nutzen Sie ausschließlich Zubehör, das die in dieser Betriebsanleitung angegebenen Anforderungen und Spezifikationen erfüllt. Bezüglich des kompletten Sortiments an Zubehör siehe www.montipower.com.

11. Reparaturen



Reparaturen an elektrischen Werkzeugen müssen AUSSCHLIESSLICH von qualifizierten Elektrikern durchgeführt werden! Setzen Sie sich mit Ihrem lokalen MontiPower® Vertreter in Verbindung, wenn Sie MontiPower® Elektrowerkzeuge haben, die Reparaturen bedürfen.

Sie können sich die speziellen Reparaturanweisungen und eine Liste von Ersatzteilen und Baugruppen von folgender Seite herunter laden: www.montipower.com.

12. Umweltschutz



Der durch den Bristle Blaster® Prozess erzeugte Staub kann umweltschädliche Materialien enthalten: Entsorgen Sie diesen nicht mit dem Haushaltsabfall sondern an einem besonderen Sammelpunkt für Sondermüll.

Beachten Sie die nationalen Vorschriften für eine umweltverträgliche Entsorgung und zum Recycling von stillgelegten Maschinen, Verpackungen und Zubehör. Nur für EU-Länder: Entsorgen Sie Elektrowerkzeuge und/oder deren Akkus und Batterien nie in Ihrem Hausmüll! Gemäß der Europäischen Richtlinie 2012/19/EU über Elektro- und Elektronikaltgeräte und ihre Umsetzung in den nationalen Rechtssystemen müssen Elektroaltgeräte separat gesammelt und einem umweltverträglichen Recyclingprozess zugeführt werden.

13. Technische Spezifikationen



Emissionswerte

Diese Werte ermöglichen die Bewertung von Emissionen von Elektrowerkzeug und den Vergleich verschiedener Elektrowerkzeuge. Je nach Betriebszustand, Zustand des Elektrowerkzeugs oder des Zubehörs kann die tatsächliche Last höher oder geringer ausfallen. Bitte machen Sie zu Bewertungszwecken Pausen oder berücksichtigen Sie Zeiten mit geringerer Last. Basierend auf den angepassten Schätzungen sind Schutzmaßnahmen für den Benutzer zu veranlassen, z.B. organisatorische Maßnahmen.

Der in Übereinstimmung mit EN 60745 bestimmte Vibrationsgesamtwert (Vektorsumme der drei Richtungen):

$a_{h,p}$ = Vibrationsemissionswert (Schleifen)	$K_{h,p}$	= Unsicherheit (Vibration)
Typische wahrgenommene A-effektive Lärmpegel:	L_{pA}	= Schalldruckpegel
L_{WA} = Schallleistungspegel K_{pA}	K_{WA}	= Unsicherheit

Während des Betriebes kann der Lärmpegel 80 dB(A) überschreiten.

Tragen Sie Gehörschutz!



Probleme, Fehler:

In einzelnen Fällen kann die Drehgeschwindigkeit zeitweise schwanken, wenn die Maschine extremen äußeren elektromagnetischen Störungen ausgesetzt ist oder der elektronische Neustartschutz kann reagieren. Schalten Sie in diesem Fall die Maschine aus und wieder ein.

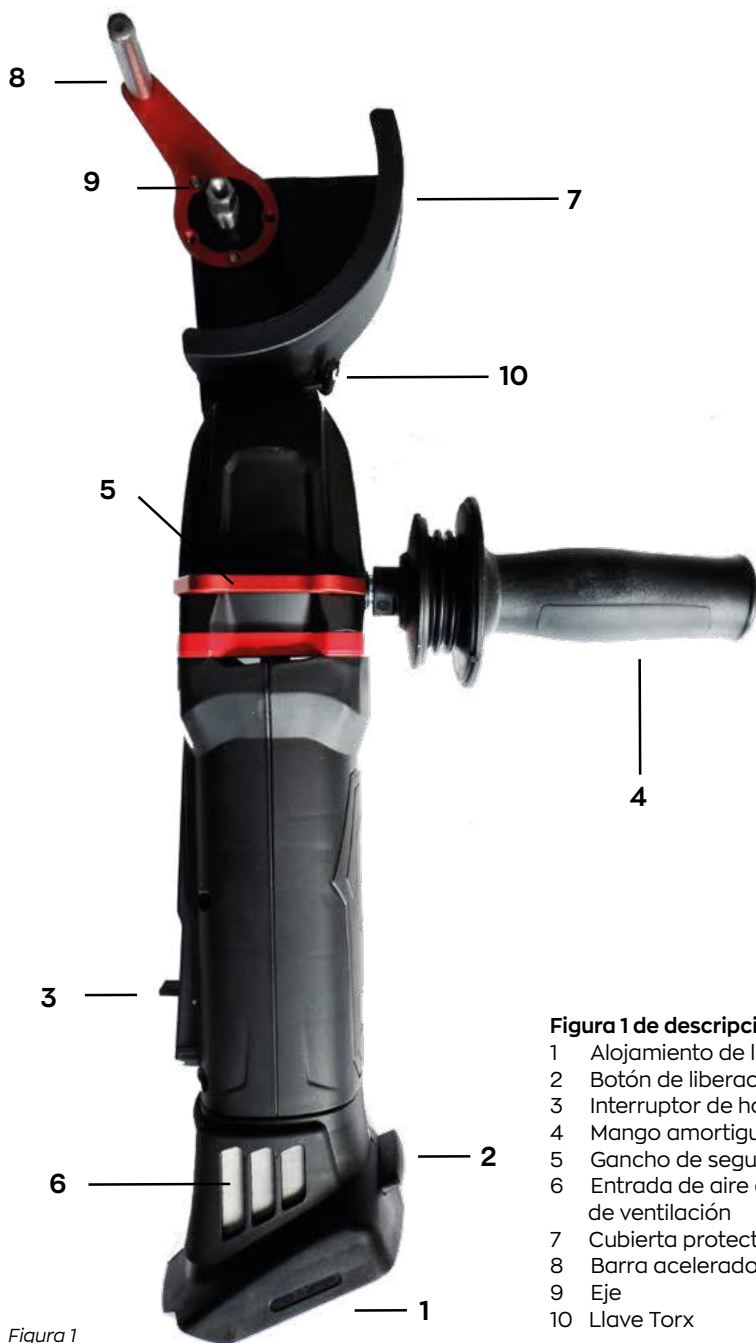


Figura 1 de descripción general

- 1 Alojamiento de la batería
- 2 Botón de liberación de la batería
- 3 Interruptor de hombre muerto
- 4 Mango amortiguador de vibraciones
- 5 Gancho de seguridad
- 6 Entrada de aire con tapa de filtro de ventilación
- 7 Cubierta protectora
- 8 Barra aceleradora
- 9 Eje
- 10 Llave Torx

Figura 1

Estimado cliente:

MontiPower® le agradece la compra de uno de sus productos y le invita a leer estas instrucciones de uso que contienen toda la información necesaria para el uso correcto de esta herramienta. Por lo tanto, se recomienda la lectura completa de las instrucciones y seguir las instrucciones. Mantenga el manual en buen estado. El contenido de este manual podrá modificarse sin previo aviso y sin que ello implique ninguna obligación adicional.

Por lo tanto, cualquier cambio o mejora podrá leerse como una adición a esta versión. Está prohibido copiar o traducir cualquier parte de este manual sin la aprobación previa por escrito del fabricante.

Datos técnicos: Bristle Blaster® Cordless (*1) Número de serie)

Especificaciones	Valores
Peso	2,2 kg 4,9 lbs
Diámetro correa (exterior)	110 mm
Potencia	700 W
Torque	0.7 Nm
Velocidad de ralentí (±5 %)	2.300 rpm
Vibración	4 m/sec ²
Batería voltaje	CAS (Cordless Alliance System), LiHD 18 V
Nivel de presión sonora	< 80 dB(A)



*2) 2006/42/CE, 2014/35/UE, 2014/30/UE

*3) DIN EN 60745-2-3 (VDE 0740-2-3)

Instrucciones originales**1. Declaración de conformidad**

Declaramos bajo nuestra única responsabilidad lo siguiente: Estos Bristle Blasters®, identificados por el tipo y el número de serie *1), cumplen con todos los requisitos pertinentes de las directivas *2) y normas *3).

2. Uso específico

Las máquinas con accesorios originales de MontPower® son adecuadas para la preparación de superficies creando simultáneamente limpieza y perfil de anclaje. La máquina puede equiparse con el cepillo estándar de 23 mm de ancho ó con el cepillo de 11 mm de ancho. Hay que tener especial cuidado con la presión del cepillo cuando se utiliza el cepillo de 11 mm.

El usuario es el único responsable de los daños causados por uso indebido. Deberán observarse las normas de prevención de accidentes generalmente aceptadas y la información de seguridad adjunta.

3. Instrucciones generales de seguridad



Para su propia protección y de la herramienta eléctrica, preste atención a todas las partes del texto que están marcadas con este símbolo.

ADVERTENCIA: La lectura de las instrucciones de uso reducirá el riesgo de lesiones.



ADVERTENCIA: Lea todas las advertencias e instrucciones de seguridad. Si no se observan todas las advertencias e instrucciones de seguridad, podrán producirse descargas eléctricas, incendios o lesiones graves.



Guarde todas las instrucciones e información de seguridad para futuras referencias. Entregue la herramienta eléctrica siempre junto con estos documentos.

4. Instrucciones especiales de seguridad

- 4.1 **Advertencias de seguridad habituales para el uso en trabajos de impacto rotativo realizados con la herramienta:**
- Esta herramienta eléctrica está indicada para funcionar como una herramienta de impacto rotativo. Lea todas las advertencias de seguridad, instrucciones, ilustraciones y especificaciones que se proporcionan con esta herramienta eléctrica.** El incumplimiento de todas las instrucciones indicadas a continuación puede causar descargas eléctricas, incendios o lesiones graves.
 - Con esta herramienta eléctrica no debe efectuarse ninguna otra operación, a excepción de la preparación de la superficie por impacto rotatorio/cepillado con cerdas.** Las operaciones para las que no se ha diseñado la herramienta eléctrica pueden suponer un peligro y causar lesiones personales.
 - Utilice los cepillos MontiPower Bristle Blaster® y sistemas de adaptadores MontiPower® con esta herramienta. No utilice accesorios que no estén específicamente diseñados y recomendados por el fabricante de la herramienta.** El hecho de que el accesorio se pueda acoplar a su herramienta eléctrica no garantiza un funcionamiento seguro.
 - No utilice un cepillo Bristle Blaster® o sistema de adaptador dañado y efectúe una inspección antes de su uso.**
 - Después de sustituir el cepillo Bristle Blaster® compruebe que el sistema de adaptador esté bien montado.
 - Después de colocar los accesorios como el sistema de adaptador y el cepillo Bristle Blaster®, extraiga siempre la llave Allen o Torx.** Asegúrese siempre de que la llave Allen o Torx se haya retirado antes de encender la herramienta.
 - Al colocar la herramienta en un banco o en el suelo, la etiqueta debe apuntar siempre hacia arriba.**
 - Si no se utiliza la herramienta, desconéctela de la fuente de alimentación y guárdela en un lugar adecuado y seco para evitar un uso no intencionado o no autorizado en ausencia de una persona autorizada.
 - Durante el uso, sujétela siempre por el cuerpo de la herramienta y el mango vertical.**
 - Utilice el cepillo Bristle Blaster® en la dirección correcta de funcionamiento (**Figura 3**).
 - El cepillo Bristle Blaster® puede generar chispas al mecanizar superficies duras.**
 - Si la herramienta se comporta de manera diferente de repente (nivel de vibración) o produce un ruido diferente (tono), deberá apagarla inmediatamente y comprobar los accesorios como el sistema de adaptador y el cepillo Bristle Blaster® por si

- presentan daños.
- m) **Use equipo de protección personal.** Dependiendo de la aplicación, use protector facial, gafas de seguridad o lentes de seguridad. Según sea necesario, use una máscara antipolvo, protectores auditivos, guantes y un delantal de taller capaz de detener pequeños fragmentos abrasivos o piezas de trabajo. La protección ocular debe ser capaz de detener los restos que pueden salir proyectados al ser generados por diferentes trabajos. La máscara antipolvo o el respirador debe ser capaz de filtrar las partículas generadas por el trabajo que esté realizando. La exposición prolongada a ruidos de alta intensidad puede causar pérdida de audición.
 - n) **Mantenga a los observadores a una distancia segura del área de trabajo. Toda persona que entre en el área de trabajo debe usar equipo de protección personal.** Los fragmentos de la pieza de trabajo o de un accesorio roto pueden salir proyectadas y causar lesiones más allá del área de operación inmediata.
 - o) **Sujete la herramienta eléctrica solo por las superficies de agarre aisladas, cuando realice una operación en la que el cepillo Bristle Blaster® pueda entrar en contacto con cables ocultos.** El cepillo Bristle Blaster® que entra en contacto con un cable «con corriente» puede hacer que las partes metálicas expuestas de la herramienta eléctrica estén «cargadas» y podría dar al operador una descarga eléctrica.
 - p) **Coloque la herramienta eléctrica en el suelo siempre que el accesorio se haya detenido por completo.** El accesorio giratorio puede entrar en contacto con la superficie y hacer que usted pierda el control de la herramienta eléctrica.
 - q) **No haga funcionar la herramienta eléctrica mientras la lleva a su lado.** El contacto accidental con el cepillo giratoria Bristle Blaster® podría engancharse a su ropa, arrastrando el accesorio hacia su cuerpo.
 - r) **Asegúrese de que la tapa del filtro de ventilación esté en su lugar, (Figura 2).** La tapa del filtro de ventilación de aire se puede quitar para limpiarlo con solo sacarlo del cuerpo de la herramienta.
 - s) **Limpie regularmente los conductos de aire de la herramienta eléctrica (Figura 2).** El ventilador del motor atraerá el polvo del interior de la carcasa y la acumulación excesiva de metal en polvo puede suponer riesgos eléctricos. La tapa de la ventilación de aire puede retirarse para su limpieza, utilice solo objetos no metálicos.
 - t) **No utilice la herramienta eléctrica cerca de materiales inflamables.** Las chispas podrían producir un incendio .
 - u) **No utilice ningún refrigerante líquido.** El uso de agua u otros refrigerantes líquidos puede provocar una electrocución o una descarga.

4.2 Retroceso y advertencias relacionadas

El retroceso es una reacción repentina a una rueda giratoria que puede causar un rápido atasco de del cepillo giratorio Bristle Blaster®, lo que a su vez hace que la herramienta eléctrica descontrolada sea forzada en la dirección opuesta a la rotación del cepillo Bristle Blaster®.

- a) **Mantenga un agarre firme de la herramienta eléctrica y posicione su cuerpo y brazo de modo que pueda resistir las fuerzas de retroceso. Utilice siempre el mango auxiliar, si lo tiene, para tener el máximo control sobre el retroceso o la reacción de torsión durante el arranque.** El operador puede controlar las reacciones de torsión o las fuerzas de retroceso si se toman las precauciones adecuadas.
- b) **No coloque nunca su mano cerca del cepillo giratorio Bristle Blaster®.** El accesorio puede reaccionar con un retroceso en la mano.

- c) **No coloque su cuerpo en el área donde se moverá la herramienta eléctrica si se produce un retroceso.** El retroceso impulsará la herramienta en dirección opuesta al movimiento del cepillo Bristle Blaster® en el punto de enganche.
- d) **Tenga especial cuidado cuando trabaje en esquinas, bordes afilados, etc. Evite rebotar y enganchar el cepillo Bristle Blaster®.** Las esquinas, los bordes afilados o los rebotes tienden a enganchar el cepillo giratorio Bristle Blaster® y causan la pérdida de control o el retroceso, daño del cepillo Bristle Blaster® e incluso el frenado del cepillo dentada.
- e) **No coloque ningún otro cepillo o sistema de adaptador que no sea el proporcionado por el fabricante.**



Figura 2



Figura 3



Figura 4

4.3 Instrucciones de seguridad adicionales



ADVERTENCIA: Use siempre gafas protectoras.

- Los accesorios deben almacenarse y manejarse con cuidado de acuerdo con las instrucciones del fabricante.
- La pieza de trabajo debe estar plana y asegurada contra el deslizamiento, por ejemplo, con abrazaderas. Las piezas de trabajo de gran tamaño deben estar apoyadas correctamente.
- No se deben utilizar herramientas dañadas, excéntricas o vibratorias.
- Desconecte la batería antes de realizar cualquier ajuste, conversión o mantenimiento de la máquina.
- Si el mango está dañado o agrietado deberá sustituirse. Nunca utilice una máquina con un mango defectuoso.
- Si la tapa protectora está dañada o agrietada deberá sustituirse.

Reducción de la exposición al polvo:



ADVERTENCIA: A veces el polvo generado por el proceso del de Bristle Blasting MontiPower® puede contener sustancias químicas conocidas por causar cáncer, defectos de nacimiento u otros daños reproductivos.

Algunos ejemplos de estas sustancias químicas son:

- Pinturas con base de plomo.
- Sílice cristalino de ladrillos, cemento y otros productos de albañilería.
- Arsénico y cromo de la madera tratada químicamente.

El riesgo de estas exposiciones varía, dependiendo de la frecuencia con la que realice este tipo de trabajo. Para reducir su exposición a estos productos químicos, trabaje en un área bien ventilada y con equipo de seguridad aprobado, como las máscaras para el polvo que están especialmente diseñadas para filtrar las partículas microscópicas.

Esto también se aplica al polvo de otros materiales como algunos tipos de madera (como el polvo de roble o haya), metales, amianto. Otras enfermedades conocidas son, por ejemplo, las reacciones alérgicas o las enfermedades respiratorias. No deje que el polvo entre en el cuerpo.

Respete las directrices pertinentes y las normas nacionales para el material, el personal, la aplicación y el lugar de aplicación (por ejemplo, las normas de salud y seguridad en el trabajo, la eliminación de residuos).

Recoja las partículas generadas en su origen, evite que se depositen en el área circundante. Utilice accesorios adecuados para trabajos especiales. De esta manera, menos partículas entrarán en el medio ambiente de forma incontrolada.

Utilice una unidad de extracción adecuada.

Reduzca la exposición al polvo con las siguientes medidas:

- No dirija las partículas que se escapan y la corriente de aire de escape hacia usted mismo o hacia las personas cercanas o hacia los depósitos de polvo.
- Utilice una unidad de extracción o purificadores de aire.

- Asegure una buena ventilación del lugar de trabajo y manténgalo limpio usando una aspiradora. Barrer o soplar aire revuelve el polvo.
- Aspire o lave la ropa protectora. No sople con aire, golpee o cepille.

5. Funcionamiento inicial



Asegúrese de que la batería correcta está colocada en la unidad. Encontrará información específica en la etiqueta de la parte inferior de la herramienta.



Instale siempre baterías de 18 V y completamente cargadas.

5.1 Fijación del mango de amortiguación de vibraciones



Trabaje siempre con el mango de amortiguación de vibraciones (4) adjunto. Coloque el mango en la parte superior o inferior de la máquina, dependiendo de la posición de trabajo, y asegúrelo. Ver **Figura 5**.



Figura 5

5.2 Colocación de la tapa protectora



Trabaje siempre con la tapa protectora (7) puesta.

Instalación:

Deslice la tapa protectora (7) sobre las levas de la parte delantera como se muestra a continuación y asegúrela apretando el tornillo lateral. Ver **Figura 6**.

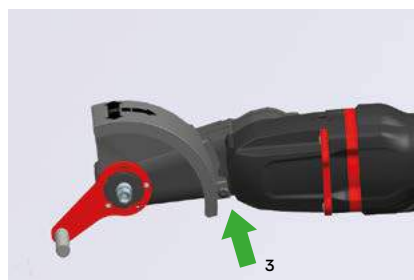
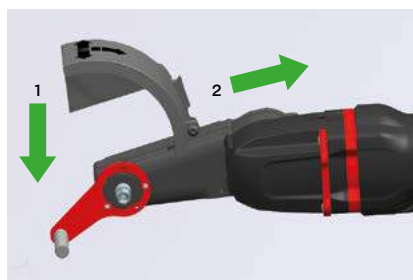


Figura 6

6. Ajuste del sistema de adaptador



Desconecte la batería de la unidad antes de cambiar el cepillo o el sistema de adaptador. La máquina debe estar apagada y el eje parado.

6.1 Colocación del accesorio

Ver la ilustración que figura a continuación (**Figura 7**).

- a. Fije el cepillo Bristle Blaster® correctamente a la herramienta usando el sistema adaptador MontiPower® adecuado (preste atención a la dirección de rotación), la arandela de seguridad dentada y el tornillo correspondientes.



Figura 7

- b. Para el cepillo de acero inoxidable Bristle Blaster® use solo la barra aceleradora de acero inoxidable.
- c. Antes de colocar la batería para utilizar la herramienta, deberá comprobar que es posible accionar correctamente el interruptor de hombre muerto y que este en la posición «OFF» cuando se libera la presión en el interruptor de hombre muerto.
- d. Para poner en marcha la herramienta, debe soltar el clip de seguridad empujándolo hacia atrás y empujar el interruptor de hombre muerto (**Figura 8**).



Figura 8

- e. Para detener la herramienta, simplemente debe liberar la presión en el interruptor del hombre muerto. Cuando coloque la batería, asegúrese de que el interruptor de hombre muerto no esté activado (**Figura 9**).



Figura 9

- f. Sujete la herramienta por el cuerpo y el mango vertical al mismo tiempo.
- g. Para obtener el mejor rendimiento, asegúrese de que la barra aceleradora se mantenga aproximadamente a 10 mm de la superficie de trabajo. Si la barra del acelerador está demasiado lejos de la superficie, el rendimiento bajará significativamente. Ver **Figura 4**. Para una descripción más detallada de la función de Bristle Blaster® visite www.montipower.com
- h. Trabaje siempre con una presión de contacto adecuada. Una presión de contacto excesiva limitará el rendimiento y causará daños al cepillo MontiPower Bristle Blaster® y al cepillo dentada.

7. Uso

7.1 Velocidad de ajuste

La velocidad de rotación está preestablecida y fijada a 2300 rpm para asegurar un rendimiento óptimo. La electrónica VTC hace posible un trabajo compatible con los materiales y una velocidad casi constante, aún con bajo carga.

7.2 Encendido y apagado



Guíe siempre la máquina con ambas manos.



Encienda primero, luego guíe el accesorio hacia la pieza de trabajo.



No debe permitirse que la máquina atraiga polvo y virutas adicionales. Al encender y apagar la máquina, manténgala alejada de los depósitos de polvo. Después de apagar la máquina, dépositela solo cuando el motor esté parado.

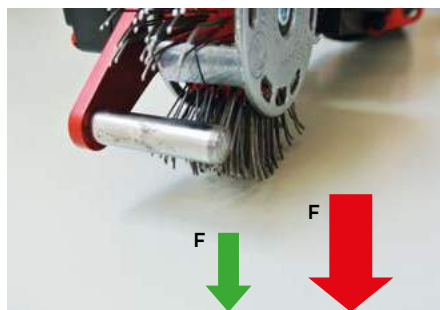
7.3 Instrucciones de trabajo



Presione ligeramente con la máquina y muévase sobre la superficie haciendo movimientos oscilantes.



Dirección correcta de funcionamiento.



Menor presión de contacto = mayor vida útil y mayor rendimiento.

Tenga en cuenta que la presión excesiva provocará daños en el cepillo Bristle Blaster® e incluso a la rotura de la correa dentada.

8. Limpieza

Limpieza del motor: sujete la máquina con firmeza y sople aire comprimido con frecuencia y a fondo por las ranuras de ventilación traseras de la máquina con regularidad, **Figura 2**.

9. Solución de problemas

9.1 Máquinas con batería:

- **Protección contra sobrecargas:** hay una **GRAN** reducción en la velocidad de carga. ¡La temperatura del motor es demasiado alta! Deje que la máquina funcione a velocidad de ralentí hasta que se haya enfriado.
- **Protección contra sobrecargas:** hay una **LIGERA** reducción en la velocidad de carga. Si la máquina está sobrecargada. Reduzca la carga antes de seguir trabajando.
- **Apagado de seguridad S-automático:** la máquina se ha **APAGADO** automáticamente. Si la velocidad de giro de la corriente es demasiado alta (por ejemplo, si la máquina se engancha de repente o se produce un retroceso), la máquina se apaga. Suelte el interruptor de hombre muerto para apagar la máquina. Vuelva a encenderla y continúe trabajando normalmente.
- **La máquina está funcionando pero el cepillo Bristle Blaster® no gira.** La correa dentada está rota o muy dañada y necesita sustitución. Ver capítulo 11, Reparaciones.
- **La máquina está en funcionamiento pero no se crea ninguna rugosidad o una rugosidad limitada.** La posición del cepillo Bristle Blaster® sobre el objeto es incorrecta, o el cepillo Bristle Blaster® está desgastada y necesita sustitución.

10. Accesorios

Use solo accesorios originales de MontiPower®.

Use solo los accesorios que cumplan los requisitos y especificaciones que figuran en estas instrucciones de uso. Encontrará la gama completa de accesorios en www.montipower.com.

11. Reparaciones



¡Las reparaciones de las herramientas eléctricas deben ser llevadas a cabo ÚNICAMENTE por electricistas cualificados! Contacte con su representante local de MontiPower® si tiene herramientas eléctricas de MontiPower® que necesiten reparación.

Usted puede descargar instrucciones de reparación específicas y una lista de repuestos y ensamblajes en www.montipower.com.

12. Protección del medio ambiente



El polvo generado por el proceso de Bristle Blaster® puede contener materiales peligrosos: no lo elimine con la basura doméstica, sino en un punto de recogida especial para residuos peligrosos.

Observe las regulaciones nacionales sobre la eliminación compatible con el medio ambiente y sobre el reciclaje de máquinas, embalajes y accesorios en desuso. Solo para los países de la UE: nunca tire las herramientas eléctricas o sus baterías junto con la basura doméstica. De acuerdo con la Directiva Europea 2012/19/UE sobre equipos electrónicos y eléctricos usados y su implementación en los sistemas legales nacionales, las herramientas eléctricas usadas deberán recogerse por separado y entregarse para su reciclaje compatible con el medio ambiente.

13. Especificaciones



Técnicas Valores de emisión

Estos valores permiten evaluar las emisiones de la herramienta eléctrica y comparar diferentes herramientas eléctricas. Según las condiciones de funcionamiento y el estado de la herramienta eléctrica o de los accesorios, la carga real puede ser mayor o menor. A efectos de evaluación, tenga en cuenta las pausas y los periodos en los que la carga es menor. Sobre la base de las estimaciones ajustadas, disponga medidas de protección para el usuario, por ejemplo, medidas de organización.

Valor total de la vibración (suma vectorial de tres direcciones) determinado de acuerdo con la norma EN 60745:

$a_{h,p}$	= Valor de emisión de la vibración (pulido)	$K_{h,p}$	= Incertidumbre (vibración)
Niveles de sonido percibido típicos A:		L_{pA}	= Nivel de presión sonora
L_{WA}	= Nivel de potencia acústica	K_{WA}	= Incertidumbre

Durante el funcionamiento, el nivel de ruido puede superar los 80 dB(A).

iUse protectores para los oídos!



Problemas, fallas:

En casos individuales, la velocidad puede fluctuar temporalmente si la máquina está expuesta a perturbaciones electromagnéticas externas extremas o la protección de reinicio electrónico puede responder. En este caso, apague la máquina y vuelva a encenderla.

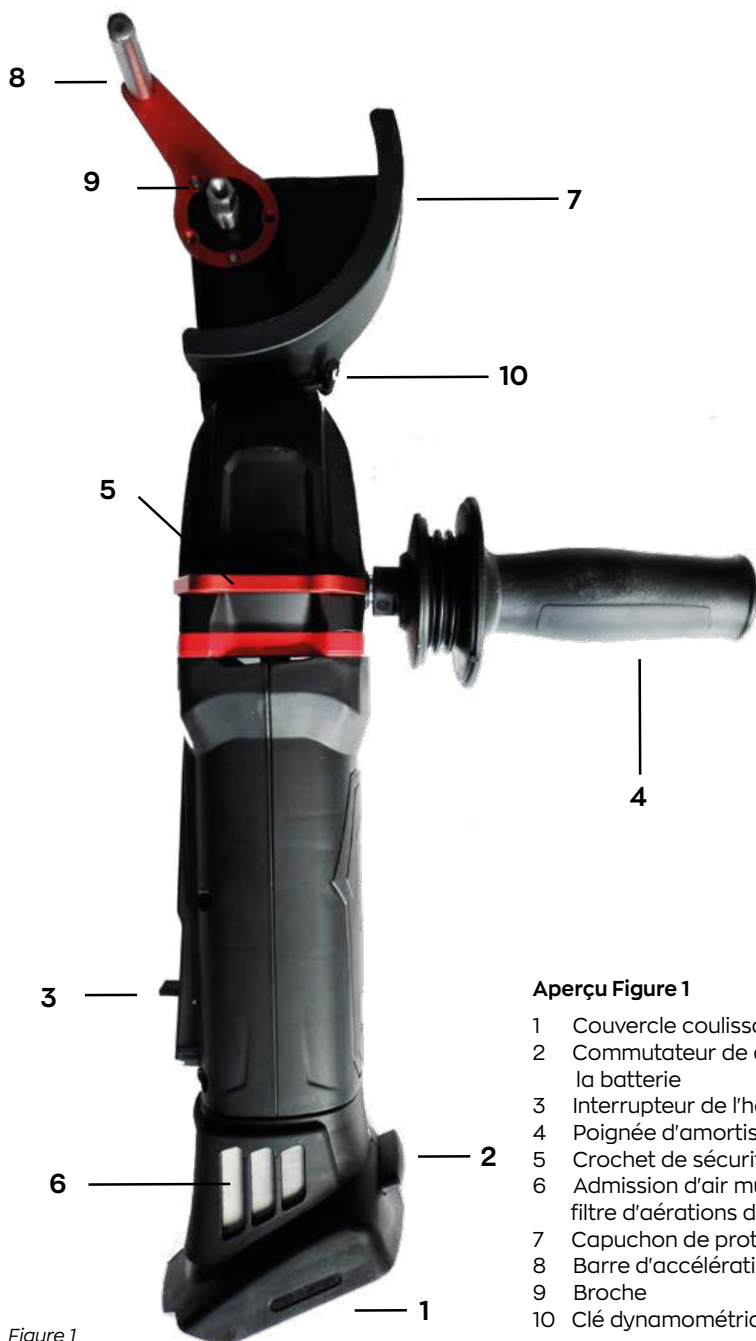


Figure 1

Aperçu Figure 1

- 1 Couvercle coulissant de la batterie
- 2 Commutateur de déverrouillage de la batterie
- 3 Interrupteur de l'homme mort
- 4 Poignée d'amortissement des vibrations
- 5 Crochet de sécurité
- 6 Admission d'air munie d'un capuchon de filtre d'aérations d'air
- 7 Capuchon de protection
- 8 Barre d'accélération
- 9 Broche
- 10 Clé dynamométrique

Cher client !

MontiPower® vous remercie pour l'achat d'un de ses produits et vous invite à lire ce mode d'emploi, qui contient toutes les informations nécessaires pour une utilisation correcte de l'outil. Il est donc recommandé de lire entièrement les instructions et de suivre les informations qu'elles contiennent. Veuillez conserver le manuel en bon état. Le contenu de ce manuel peut être modifié sans préavis et sans que cela n'implique d'obligations supplémentaires.

Par conséquent, toute modification/amélioration peut être lue comme un ajout à cette version. Il est interdit de copier ou de traduire toute partie de ce manuel sans l'accord écrit préalable du fabricant.

Données techniques : Bristle Blaster® Cordless (*1) Numéro de série)

Spécifications	Unité de valeur
Poids	2,2 kg 4,9 lbs
Diamètre de la courroie (extérieur)	110 mm
Sortie	700 W
Couple	0.7 Nm
Vitesse au ralenti (± 5 %)	2.300 ts/min
Vibration	4 m/sec ²
Batterie requise, tension	CAS (Cordless Alliance System), LiHD 18 V
Niveau de pression sonore	< 80 dB(A)



*2) 2006/42/EG, 2014/35/EU, 2014/30/EU

*3) DIN EN 60745-2-3 (VDE 0740-2-3)

Instructions originales**1. Déclaration de conformité CE**

Nous déclarons sous notre seule responsabilité : Ces outils Bristle Blasters®, identifiés par le type et le numéro de série *1), sont conformes à toutes les exigences pertinentes des directives *2) et des normes *3).

2. Utilisation spécifiée

Les machines, dotées d'accessoires MontiPower® originaux, sont adaptées à la préparation des surfaces en créant simultanément une propreté et un profil d'ancrage. La machine peut être équipée de la courroie standard de 23 mm de large ainsi que de la courroie de 11 mm de large. Un soin particulier doit être apporté à la pression des brosses lors de l'utilisation de la courroie de 11 mm.

L'utilisateur est seul responsable de tout dommage causé par une utilisation incorrecte. Les règles de prévention des accidents généralement acceptées et les informations de sécurité jointes doivent être respectées.

3. Consignes de sécurité générales



Pour votre propre protection et pour la protection de votre outil électrique, faites attention à toutes les parties du texte qui sont marquées de ce symbole!

AVERTISSEMENT: La lecture du mode d'emploi réduira le risque de blessure.



AVERTISSEMENT: Lisez tous les avertissements de sécurité et toutes les instructions. Le non-respect de tous les avertissements et instructions de sécurité peut entraîner une électrocution, un incendie et/ou des blessures graves.



Conservez toutes les instructions et informations de sécurité pour référence ultérieure. Ne remettez votre outil électrique qu'avec ces documents.

4. Consignes de sécurité spéciales

4.1 Avertissements de sécurité communs pour l'utilisation des outils à percussion rotatifs:

- a) Cet outil électrique est destiné à fonctionner comme outil à percussion rotatif. Lisez tous les avertissements de sécurité, les instructions, les illustrations et les spécifications fournis avec cet outil électrique. Le non-respect de toutes les instructions énumérées ci-dessous peut entraîner une électrocution, un incendie et/ou des blessures graves.
- b) Aucune autre opération que la préparation de la surface par impact rotatif/le sablage par brins ne doit être effectuée avec cet outil électrique. Les opérations pour lesquelles l'outil électrique n'a pas été conçu peuvent créer un danger et causer des blessures personnelles.
- c) N'utilisez que les courroies MontiPower Bristle Blaster® et les systèmes d'adaptation MontiPower® avec cet outil. N'utilisez pas d'accessoires qui ne sont pas spécifiquement conçus et recommandés par le fabricant de l'outil. Le simple fait que l'accessoire puisse être fixé à votre outil électrique ne garantit pas un fonctionnement sûr.
- d) N'utilisez pas une courroie, un système d'adaptation Bristle Blaster® endommagé, inspectez-les avant de les utiliser.
- e) Après le remplacement de la courroie Bristle Blaster® vérifiez que le système d'adaptation est correctement monté.
- f) Après avoir installé des accessoires tels que le système d'adaptation et la courroie Bristle Blaster®, retirez toujours la clé Allen/clé dynamométrique. Assurez-vous toujours que la clé Allen/clé Torx est retirée avant de mettre l'outil en marche.
- g) Lorsque l'outil est posé sur un banc ou sur le sol, l'étiquette doit toujours être orientée vers le haut.
- h) Si l'outil n'est pas utilisé, débranchez-le et rangez-le dans un endroit approprié et sec pour éviter toute utilisation involontaire ou non autorisée en l'absence d'une personne autorisée.
 - i) En cours d'utilisation, toujours tenir par le corps de l'outil et la poignée verticale.
 - j) Utilisez la courroie Bristle Blaster® dans le sens de fonctionnement correct (Figure 3).
 - k) La courroie Bristle Blaster® peut générer des étincelles lors de l'utilisation sur des surfaces dures.
- l) Si l'outil ressent soudainement une différence (niveau de vibration) ou produit un bruit différent (tonalité), il faut l'arrêter immédiatement et les accessoires tels

que le système d'adaptation, la courroie Bristle Blaster® doivent faire l'objet d'une vérification à la recherche de dommages.

- m) **Portez un équipement de protection individuelle. Selon l'application, utilisez une protection faciale, des lunettes de protection ou des lunettes de sécurité. Le cas échéant, portez un masque anti-poussière, des protections auditives, des gants et un tablier d'atelier capables d'arrêter les petits fragments d'abrasif ou de pièces.** La protection oculaire doit être capable d'arrêter les débris volants créés par diverses opérations. Le masque anti-poussière ou le respirateur doit être capable de filtrer les particules générées par votre opération. Une exposition prolongée à un bruit de forte intensité peut entraîner une perte auditive.
- n) **Maintenir les passants à une distance sûre de la zone de travail. Toute personne pénétrant dans la zone de travail doit porter un équipement de protection individuelle.** Des fragments de pièce ou d'un accessoire cassé peuvent s'envoler et causer des blessures au-delà de la zone d'utilisation immédiate.
- o) **Ne tenez l'outil électrique que par des surfaces de préhension isolées, lorsque vous effectuez une opération où la courroie Bristle Blaster® peut entraîner en contact avec des fils cachés.** Si la courroie Bristle Blaster® entre en contact avec un fil « sous tension », elle peut « alimenter » les pièces métalliques exposées de l'outil électrique et peut entraîner l'électrocution de l'opérateur.
- p) **Ne posez jamais l'outil électrique avant que l'accessoire ne soit complètement arrêté.** L'accessoire rotatif pourrait s'appuyer sur la surface et vous faire perdre le contrôle de l'outil électrique.
- q) **Ne faites pas fonctionner l'outil électrique en le portant à vos côtés.** Un contact accidentel avec la courroie rotative Bristle Blaster® pourrait accrocher vos vêtements et l'accessoire pourrait pénétrer dans votre corps.
- r) Assurez-vous que le capuchon du filtre des bouches d'aération est en place, **(Figure 2)**. Le capuchon du filtre de l'aération peut être retiré pour le nettoyage en le tirant simplement du corps de l'outil.
- s) **Nettoyez régulièrement les bouches d'aération de l'outil électrique (Figure 2).** Le ventilateur du moteur aspire la poussière à l'intérieur du boîtier et une accumulation excessive de métal en poudre peut provoquer des risques électriques. Le capuchon de l'aération peut être déposé pour le nettoyage, n'utilisez que des objets non métalliques.
- t) **Ne faites pas fonctionner l'outil électrique à proximité de matériaux inflammables.** Des étincelles pourraient enflammer ces matériaux.
- u) **N'utilisez pas de liquides de refroidissement.** L'utilisation de liquides de refroidissement peut entraîner une électrocution ou un choc.

4.2 Contrecoup et avertissements connexes

Le rebond est une réaction soudaine à une roue en rotation qui peut provoquer le blocage rapide de la courroie Bristle Blaster® en rotation, ce qui à son tour provoque le déplacement de l'outil électrique non contrôlé dans la direction opposée à la rotation de la courroie Bristle Blaster®.

- a) **Maintenez fermement l'outil électrique et positionnez votre corps et votre bras pour vous permettre de résister aux forces de contrecoup. Utilisez toujours la poignée auxiliaire, si elle est prévue, pour contrôler au maximum le rebond ou la réaction du couple pendant le démarrage.** L'opérateur peut contrôler les réactions de couple ou les forces de rebond, si des précautions sont prises.
- b) **Ne placez jamais votre main près de la courroie rotative Bristle Blaster®.** L'accessoire risque de rebondir sur votre main.

- c) **Ne placez pas votre corps dans la zone où l'outil électrique se déplacera si un rebond se produit.** Le contrecoup propulsera l'outil dans la direction opposée au mouvement de la courroie Bristle Blaster® au point d'accrochage.
- d) **Soyez particulièrement prudent lorsque vous travaillez dans les coins, sur les bords tranchants, etc.** Évitez de faire rebondir et d'accrocher la courroie Bristle Blaster®. Les coins, les arêtes vives ou les rebonds ont tendance à accrocher la courroie Bristle Blaster® en rotation et à provoquer une perte de contrôle ou un rebond, un endommagement de la Bristle Blaster® et même un freinage de la courroie dentée.
- e) **Ne fixez pas d'autres courroies ou systèmes d'adaptation que ceux fournis par le fabricant.**



Figure 2



Figure 3



Figure 4



4.3 Consignes de sécurité supplémentaires



AVERTISSEMENT: Portez toujours des lunettes de protection.

- Les accessoires doivent être stockés et manipulés avec soin conformément aux instructions du fabricant.
- La pièce doit être posée à plat et protégée contre le glissement, par exemple à l'aide de pinces. Les grandes pièces doivent être soutenues de manière adéquate.
- Les outils endommagés, excentriques ou vibrants ne doivent pas être utilisés.
- Débranchez la batterie avant d'effectuer tout réglage, conversion ou entretien de la machine.
- Une poignée endommagée ou fissurée doit être remplacée. Ne jamais faire fonctionner une machine dont la poignée est défectueuse.
- Un capuchon de protection endommagé ou fissuré doit être remplacé.

Réduire l'exposition aux poussières:



AVERTISSEMENT: Certaines poussières créées par le procédé MontiPower® Bristle Blasting peuvent contenir des produits chimiques connus pour provoquer des cancers, des malformations congénitales ou d'autres atteintes à la reproduction.

Voici quelques exemples de ces produits chimiques :

- Le plomb des peintures à base de plomb,
- La silice cristalline provenant des briques, du ciment et d'autres produits de maçonnerie, et
- Arsenic et chrome provenant de bois traité chimiquement.

Le risque que vous courez en raison de ces expositions varie selon la fréquence à laquelle vous effectuez ce type de travail. Pour réduire votre exposition à ces produits chimiques, travaillez dans un endroit bien ventilé et travaillez avec des équipements de sécurité approuvés, tels que des masques anti-poussières spécialement conçus pour filtrer les particules microscopiques.

Cela s'applique également à la poussière d'autres matériaux tels que certains types de bois (comme la poussière de chêne ou de hêtre), les métaux, l'amiante. Les autres maladies connues sont par exemple les réactions allergiques, les maladies respiratoires. Ne pas laisser la poussière pénétrer dans le corps.

Respectez les directives et les réglementations nationales pertinentes pour votre matériel, votre personnel, votre application et votre lieu d'application (par exemple, les réglementations en matière de santé et de sécurité au travail, l'élimination).

Recueillez les particules générées à la source, évitez les dépôts dans les environs. Utilisez des accessoires appropriés pour les travaux spéciaux. De cette façon, moins de particules pénètrent dans l'environnement de manière incontrôlée.

Utiliser une unité d'extraction adaptée.

Réduisez l'exposition à la poussière grâce aux mesures suivantes :

- ne dirigez pas les particules qui s'échappent et le flux d'air évacué vers vous ou les personnes à proximité, ni sur les dépôts de poussière,
- utilisez une unité d'extraction d'air et/ou des purificateurs d'air,
- assurez une bonne ventilation du lieu de travail et maintenez-le propre à l'aide d'un aspirateur balayer ou soufflez la poussière.
- Passez l'aspirateur ou lavez les vêtements de protection. Ne pas souffler, battre ou brosser.

5. Fonctionnement initial



Veillez vous assurer que la batterie correcte est installée sur l'appareil. Des informations spécifiques figurent sur l'étiquette au bas de l'outil.



Installez toujours des batteries de 18 V et complètement chargées.

5.1 Fixation de la poignée amortissant les vibrations



Travaillez toujours avec la poignée amortissant les vibrations (4) attachée ! Fixez la poignée sur le côté supérieur ou inférieur de l'appareil, selon la position de travail, et sécurisez-la. Voir **Figure 5**.



Figure 5

5.2 Fixation du capuchon de protection



Travaillez toujours avec le capuchon de protection (7) attaché.

Installation :

Faites glisser le capuchon de protection (7) sur les cames de l'extrémité avant comme indiqué ci-dessous et fixez-le en serrant la vis sur le côté. Voir **Figure 6**.

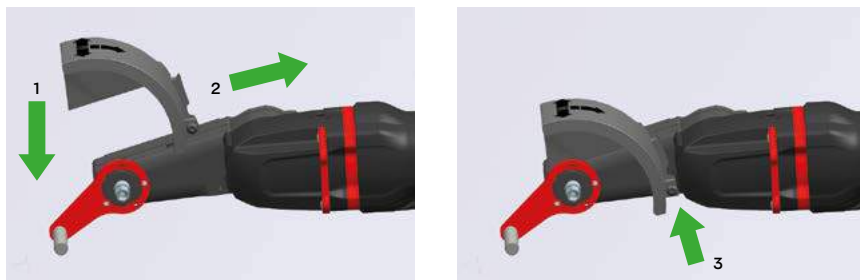


Figure 6

6. Montage du système d'adaptation



Débranchez la batterie de l'appareil avant de changer la courroie ou le système d'adaptateur. La machine doit être arrêtée et la broche à l'arrêt.

6.1 Positionnement de l'accessoire

Voir l'illustration ci-dessous (**Figure 7**).

- a. Fixez correctement la courroie Bristle Blaster® à l'outil en utilisant le système d'adaptateur MontiPower® correspondant (faites attention au sens de rotation) ainsi que la rondelle et la vis de blocage dentelées correspondantes.





Figure 7

- b. Pour la courroie en acier inoxydable Bristle Blaster®, utilisez uniquement la barre d'accélération en acier inoxydable.
- c. Avant de brancher la batterie pour faire fonctionner l'outil, vous devez vérifier qu'il est possible d'actionner correctement l'interrupteur d'homme mort et que l'interrupteur revient en position « OFF » lorsque vous relâchez la pression sur l'interrupteur d'homme mort.
- d. Pour démarrer l'outil, vous devez déverrouiller le clip de sécurité en le poussant vers l'arrière et appuyer sur l'interrupteur d'homme mort (**Figure 8**).



Figure 8

- e. Pour arrêter l'outil, il suffit de relâcher la pression sur l'interrupteur de l'homme mort. Lors de la mise en place de la batterie, assurez-vous que l'interrupteur de l'homme mort n'est pas activé (**Figure 9**).



Figure 9

- f. Tenez l'outil par le corps de l'outil et la poignée verticale en même temps.
- g. Pour obtenir les meilleures performances, assurez-vous que la barre d'accélérateur est maintenue à environ 10 mm de la surface de travail. Si la barre d'accélérateur est trop éloignée de la surface, les performances baissent considérablement. Voir Figure 4. Pour une description plus détaillée du fonctionnement de l'outil Bristle Blaster® visitez le site www.montipower.com
- h. Travaillez toujours en appliquant une pression de contact adéquate. Une pression de contact excessive limitera les performances et endommagera la courroie MontiPower Bristle Blaster® et la courroie dentée.

7. Utilisation

7.1 Réglage de la vitesse

La vitesse de rotation est préréglée et fixée à 2 300 tr/min pour assurer des performances optimales. L'électronique du VTC permet un travail compatible avec les matériaux et une vitesse presque constante, même sous charge.

7.2 Mise sous/hors tension



Guidez toujours la machine à deux mains.



Allumez d'abord, puis guidez l'accessoire vers la pièce.



La machine ne doit pas aspirer de poussière et de copeaux supplémentaires. Lorsque vous allumez et éteignez l'appareil, tenez-le éloigné des dépôts de poussière. Après avoir éteint la machine, ne la posez que lorsque le moteur est à l'arrêt.

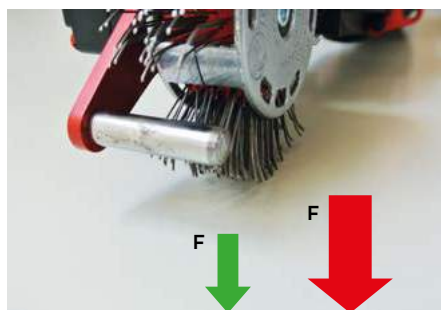
7.3 Instructions de travail



Appuyez légèrement sur la machine et déplacez-vous sur la surface en opérant des mouvements oscillants.



Sens correct de fonctionnement.



Moins de pression de contact = durée de vie plus longue et performances plus élevées.

Notez qu'une pression excessive entraînera l'endommagement de la courroie Bristle Blaster® et même la rupture de la courroie dentée.

8. Nettoyage

Nettoyage du moteur : En maintenant la machine fermement, soufflez de l'air comprimé par les fentes de ventilation arrière de l'appareil régulièrement, **Figure 2**, fréquemment et complètement.

9. Dépannage

9.1 Machines fonctionnant sur batteries :

- **Protection contre la surcharge :** Il y a une réduction MAJEURE de la vitesse de chargement. La température du moteur est trop élevée ! Laissez la machine fonctionner au ralenti jusqu'à ce qu'elle ait refroidi.
- **Protection contre la surcharge :** Il y a une réduction LÉGÈRE de la vitesse de chargement. La machine est surchargée. Réduisez la charge avant de continuer à travailler.
- **S-arrêt de sécurité automatique :** La machine s'est ÉTEINTE automatiquement. Si la vitesse de rotation du courant est trop élevée (par exemple, si la machine se bloque soudainement ou si un rebond se produit), la machine s'éteint. Relâchez l'interrupteur de l'homme mort pour éteindre la machine. Allumez-la à nouveau et continuez à travailler normalement.
- **La machine fonctionne mais la courroie Bristle Blaster® ne tourne pas.** La courroie dentée est cassée ou fortement endommagée et doit être remplacée. Voir le chapitre 11, Réparations.
- **La machine fonctionne mais aucune rugosité ou une rugosité limitée est créée.** Le positionnement de la courroie Bristle Blaster® sur l'objet est incorrect, ou la courroie Bristle Blaster® est usée et doit être remplacée.

10. Accessoires

N'utilisez que des accessoires MontiPower® d'origine.
N'utilisez que des accessoires qui répondent aux exigences et aux spécifications énumérées dans le présent mode d'emploi. Pour une gamme complète d'accessoires, voir www.montipower.com.

11. Réparations



Les réparations des outils électriques doivent être effectuées par des électriciens qualifiés **UNIQUEMENT** ! Contactez votre représentant MontiPower® local si vous avez des outils électriques MontiPower® à réparer.

Vous pouvez télécharger des instructions de réparation spécifiques et une liste de pièces détachées et d'assemblages à l'adresse suivante www.montipower.com.

12. Protection de l'environnement



La poussière générée par le procédé Bristle Blaster® peut contenir des matières dangereuses : ne la jetez pas avec les ordures ménagères, mais dans un point de collecte spécial pour les déchets dangereux.

Respecter les réglementations nationales sur l'élimination compatible avec l'environnement et sur le recyclage des machines, emballages et accessoires hors d'usage. Uniquement pour les pays de l'Union Européenne : Ne jetez jamais vos outils électriques ou leurs batteries dans les ordures ménagères ! Conformément à la directive européenne 2012/19/UE relative aux équipements électroniques et électriques usagés et à sa mise en œuvre dans les systèmes juridiques nationaux, les outils électriques usagés doivent être collectés séparément et remis pour un recyclage compatible avec l'environnement.

13. Spécifications



Techniques Valeurs d'émission

Ces valeurs permettent d'évaluer les émissions de l'outil électrique et de comparer différents outils électriques. Selon les conditions de fonctionnement, l'état de l'outil électrique ou des accessoires, la charge réelle peut être supérieure ou inférieure. Aux fins de l'évaluation, veuillez tenir compte des pauses et des périodes où la charge est plus faible. Sur la base des estimations ajustées, prévoir des mesures de protection pour l'utilisateur, par exemple des mesures organisationnelles.

Valeur totale des vibrations (somme vectorielle des trois directions) déterminée conformément à la norme EN 60745 :

$a_{h,p}$ = Valeur d'émission des vibrations (polissage)	$K_{h,p}$ = Incertitude (vibration)
Niveaux sonores perçus typiques A-efficace :	L_{pA} = Niveau de pression sonore
L_{WA} = Niveau de puissance acoustique	K_{WA} = Incertitude

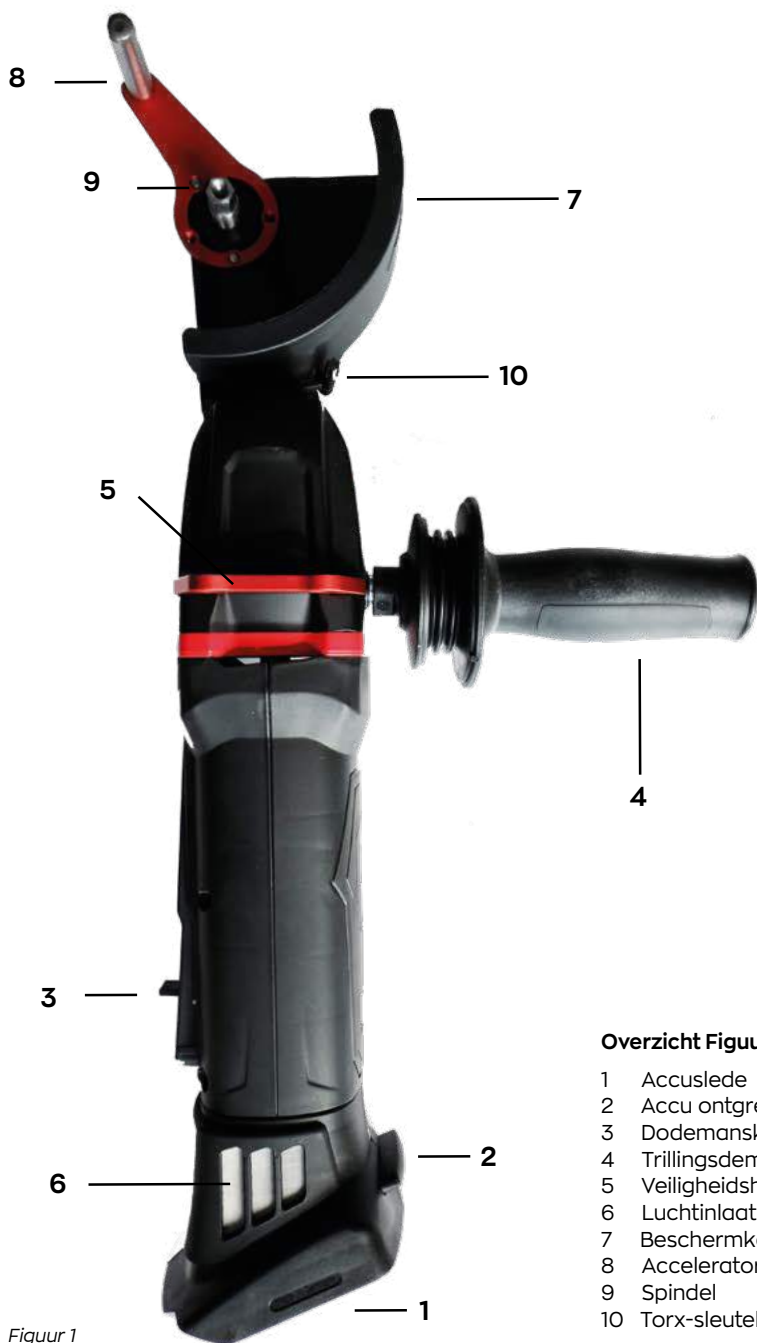
En cours de fonctionnement, le niveau de bruit peut dépasser 80 dB(A).

Portez des protections auditives !



Problèmes, défauts :

Dans certains cas, la vitesse peut fluctuer temporairement si la machine est exposée à des perturbations électromagnétiques externes extrêmes ou si la protection électronique de redémarrage peut réagir. Dans ce cas, éteignez et rallumez la machine.

**Overzicht Figuur 1**

- 1 Accuslede
- 2 Accu ontgrendelingsknop
- 3 Dodemansknop
- 4 Trillingsdempende handgreep
- 5 Veiligheidshaak
- 6 Luchtinlaat met filter
- 7 Beschermkap
- 8 Accelerator bar
- 9 Spindel
- 10 Torx-sleutel

Figuur 1

Geachte klant !

MontiPower® dankt u voor de aankoop van een van haar producten en nodigt u uit om deze bedieningsinstructies te lezen, die alle nodige informatie bevatten voor een correct gebruik van het gereedschap. Het wordt daarom aanbevolen om de instructies volledig te lezen en de informatie daarin op te volgen. Bewaar de handleiding in goede staat. De inhoud van deze handleiding kan worden gewijzigd zonder voorafgaande kennisgeving en zonder de implicatie van enige aanvullende verplichtingen.

Eventuele wijzigingen / verbeteringen kunnen daarom worden gelezen als aanvullingen op deze versie. Het is verboden om enig deel van deze handleiding te kopiëren of te vertalen zonder de voorafgaande schriftelijke toestemming van de fabrikant.

Technische gegevens: Bristle Blaster® Cordless (*1) serienummer)

Specificaties	Waarde-eenheid
Gewicht	2,2 kg 4,9 lbs
Borsteldiameter (buiten)	110 mm
Vermogen	700 W
Koppel	0.7 Nm
Toerental (± 5%)	2.300 omw/min
Trillingen	4 m/sec ²
Vereiste accu, spanning	CAS (Cordless Alliance System), LiHD 18 V
Geluidsniveau	< 80 dB(A)



*2) 2006/42/EG, 2014/35/EU, 2014/30/EU

*3) DIN EN 60745-2-3 (VDE 0740-2-3)

Originele instructies**1. Conformiteitsverklaring**

Wij verklaren voor eigen verantwoordelijkheid dat: deze Bristle Blasters® (geïdentificeerd door type en serienummer *1), voldoen aan alle relevante vereisten van de richtlijnen *2) en normen *3).

2. Specifiek gebruik

De machines, met originele MontiPower®-accessoires, zijn geschikt het voorbehandelen van oppervlakken. De bewerking met de MontiPower®-Bristle Blaster® resulteert in een hoge mate van reinheid alsmede een en passend ruwheidsprofiel. De machine kan zowel met de standaard 23 mm brede band als met de 11 mm brede band worden uitgerust. Bij het gebruik van de 11 mm brede borstel moet speciale aandacht worden besteed aan de borsteldruk.

De gebruiker is als enige verantwoordelijk voor eventuele schade veroorzaakt door oneigenlijk gebruik. De algemeen aanvaarde ongevalpreventievoorschriften en de bijgevoegde veiligheidsaanwijzingen moeten in acht worden genomen.

3. Algemene veiligheidsinstructies



Let voor uw eigen bescherming en voor de bescherming van uw elektrische gereedschap op alle delen van de tekst die met dit symbool zijn gemarkeerd! **WAARSCHUWING** - Het lezen van de bedieningsinstructies verkleint het risico op letsel.



WAARSCHUWING: Lees alle veiligheidswaarschuwingen en instructies. Het niet opvolgen van alle veiligheidswaarschuwingen en instructies kan leiden tot elektrische schokken, brand en/of ernstig letsel.



Bewaar alle veiligheidsinstructies en informatie voor toekomstig gebruik. Geef uw elektrisch gereedschap alleen samen met deze documenten door aan nieuwe gebruikers.

4. Speciale veiligheidsinstructies

- 4.1 Algemene veiligheidswaarschuwingen voor het gebruik van bewerkingen met de Bristle Blaster® tool:
- Dit elektrische gereedschap is bedoeld voor gebruik als oppervlaktebehandelingsgereedschap middels het zgn Bristle Blasting proces.** Lees alle veiligheidswaarschuwingen, instructies, illustraties en specificaties die bij dit elektrische gereedschap zijn geleverd. Het niet opvolgen van alle onderstaande instructies kan leiden tot elektrische schokken, brand en/of ernstig letsel.
 - Met dit elektrische gereedschap mag geen andere bewerking worden uitgevoerd dan het Bristle Blasting oppervlaktebehandelings proces.** Handelingen waarvoor het elektrische gereedschap niet is ontworpen, kunnen gevaar opleveren en persoonlijk letsel veroorzaken.
 - Gebruik alleen MontiPower® Bristle Blaster®-borstels en MontiPower®-adaptersystemen met dit gereedschap.** Gebruik geen accessoires die niet specifiek zijn ontworpen en aanbevolen door de fabrikant van het gereedschap. Alleen omdat het accessoire op uw elektrisch gereedschap kan worden bevestigd, vormt nog geen garantie voor een veilige werking.
 - Gebruik geen beschadigd Bristle Blaster®-borstel of adaptersysteem, inspecteer voor gebruik.**
 - Controleer na vervanging van de Bristle Blaster®-borstel of het adaptersysteem correct gemonteerd is.
 - Verwijder altijd de inbussleutel / torx-sleutel, nadat u accessoires, zoals het adaptersysteem en de Bristle Blaster®-borstel, hebt aangebracht.** Zorg er altijd voor dat de inbussleutel / torx-sleutel is verwijderd voordat u het gereedschap inschakelt.
 - Bij het neerleggen van het apparaat op een werkbank of op de vloer moet het label altijd naar boven wijzen.**
 - Als het gereedschap niet in gebruik is, bewaar het op een geschikte, droge plaats om onbedoeld of onbevoegd gebruik in afwezigheid van een bevoegde persoon te voorkomen.
 - Houd het gereedschap tijdens gebruik altijd vast aan de behuizing en aan de verticale handgreep.**
 - Gebruik de Bristle Blaster®-borstel in de juiste bedieningsrichting (**Figuur 3**).
 - De Bristle Blaster®-borstel kan vonken produceren bij het bewerken van harde oppervlakken.**

- l) Als het gereedschap plotseling anders aanvoelt (trillingsniveau) of een ander geluid (toonhoogte) produceert, moet het onmiddellijk worden uitgeschakeld en moeten de accessoires zoals het adaptersysteem en de Bristle Blaster®-borstel op schade worden gecontroleerd.
- m) **Draag persoonlijke beschermingsmiddelen.** Gebruik, afhankelijk van de toepassing, een gelaatsscherm of een veiligheidsbril. Draag indien nodig een stofmasker, gehoorbescherming, handschoenen en een werkplaatsschort die kleine deeltjes of stukjes welke loskomen van het werkstuk tijdens de bewerking van het werkstuk kunnen tegenhouden. De oogbescherming moet rondvliegende resten kunnen tegenhouden die vrijkomen bij verschillende bewerkingen. Het stofmasker moet in staat zijn om deeltjes te filteren die tijdens uw handeling vrijkomen. Langdurige blootstelling aan lawaai met een hoge intensiteit kan gehoorbeschadiging veroorzaken.
- n) **Houd omstanders op veilige afstand van de directe werkomgeving.** Iedereen die het werkgebied betreedt, moet persoonlijke beschermingsmiddelen dragen. Fragmenten van een werkstuk of van een kapot accessoire kunnen wegvliegen en letsel veroorzaken buiten het directe werkgebied.
- o) **Houd het elektrisch gereedschap alleen vast aan de geïsoleerde greepvlakken, wanneer u een handeling uitvoert waarbij de Bristle Blaster®-borstel in contact kan komen met elektrische bedrading.** Als de Bristle Blaster®-borstel in contact komt met een stroomkabel die onder spanning staat, kunnen blootliggende metalen delen van het elektrische gereedschap onder spanning komen te staan en kan de gebruiker een elektrische schok krijgen.
- p) **Leg het elektrische gereedschap nooit neer voordat het accessoire volledig tot stilstand is gekomen.** Het draaiende accessoire kan in het oppervlak grijpen, waardoor u het elektrische gereedschap niet langer onder controle hebt.
- q) **Gebruik het elektrische gereedschap niet terwijl u het tegen uw lichaam draagt.** Ongewild contact met de draaiende Bristle Blaster®-borstel kan uw kleding vastgrijpen en het accessoire naar uw lichaam toe trekken.
- r) Zorg ervoor dat de filterkap op zijn plaats zit, **(Figuur 2)**. De kap van het ontluchtingsfilter kan worden verwijderd voor reiniging, door deze simpelweg weg te trekken van de behuizing van het gereedschap.
- s) **Reinig regelmatig de luchtopeningen van het elektrische gereedschap (Figuur 2).** De ventilator van de motor trekt het stof in de behuizing en overmatige ophoping van metallisch stof kan elektrische gevaren veroorzaken. De filterkap kan worden verwijderd om te reinigen, gebruik alleen niet-metalen voorwerpen.
- t) **Gebruik het elektrische gereedschap niet in de buurt van brandbare materialen.** Vonken kunnen deze materialen ontsteken.
- u) **Gebruik geen vloeibare koelvloeistoffen.** Het gebruik van water of andere vloeibare koelvloeistoffen kan leiden tot elektrocutie of schokken.

4.2 Terugslag en gerelateerde waarschuwingen

Terugslag is een plotselinge reactie op een draaiend wiel, waarbij de draaiende Bristle Blaster®-borstel snel kan afspringen van het oppervlak en het ongecontroleerde in de tegenovergestelde richting van de rotatie van de Bristle Blaster®-borstel wordt geduwd.

- a) **Houd het elektrische gereedschap stevig vast en plaats uw lichaam en arm zo dat u de terugslagkrachten kunt weerstaan.** Gebruik altijd de extra handgreep, indien aanwezig, voor maximale controle over terugslag of koppelreactie tijdens het opstarten. De operator kan koppelreacties of terugslagkrachten reguleren, als de juiste voorzorgsmaatregelen worden genomen.

- b) **Plaats uw hand nooit in de buurt van de draaiende Bristle Blaster®-borstel.** Direct contact met de draaiende Bristle Blaster borstel kan verwonding aan uw hand veroorzaken.
- c) **Positioneer uw lichaam niet in het gebied waar het elektrisch gereedschap zal bewegen als er een terugslag optreedt.** Een terugslag zal het gereedschap in de richting die tegengesteld is aan de beweging van de Bristle Blaster®-riem bortsel bewegen.
- d) **Wees extra voorzichtig bij het werken in hoeken, scherpe randen etc. Voorkom dat de Bristle Blaster®-borstel verspringt en blijft haken.** Hoeken, scherpe randen of kanten hebben de neiging om de roterende Bristle Blaster®-borstel vast te houden en veroorzaken controleverlies of terugslag, beschadiging van de Bristle Blaster®-borstel tot en zelfs het breken van de tandriem.
- e) **Bevestig geen andere borstel of adaptersysteem dan die door de fabrikant zijn geleverd.**



Figuur 2



Figuur 3



Figuur 4

4.3 Aanvullende veiligheidsinstructies



WAARSCHUWING – Draag altijd een veiligheidsbril.

- Accessoires moeten met zorg worden bewaard en behandeld in overeenstemming met de instructies van de fabrikant.
- Het werkstuk moet vlak liggen en tegen wegglijden worden beveiligd, bijv. met behulp van klemmen. Grote werkstukken moeten voldoende ondersteund worden.
- Beschadigde, excentrische of trillende gereedschappen mogen niet worden gebruikt.
- Koppel de accu los voordat u afstellingen, aanpassingen of onderhoud aan de machine uitvoert.
- Een beschadigde of gebarsten handgreep moet worden vervangen. Gebruik nooit een machine met een defecte handgreep.
- Een beschadigde of gebarsten beschermkap moet worden vervangen.

Blootstelling aan stof verminderen:



WAARSCHUWING: Sommige stofdeeltjes die door het MontiPower® Bristle Blasting-proces ontstaan, kunnen chemicaliën bevatten waarvan bekend is dat ze kanker, geboortefwijkingen of andere vruchtbaarheidsproblemen veroorzaken.

Enkele voorbeelden van deze chemicaliën zijn:

- Lood van verven op loodbasis,
- kristallijn silica uit bakstenen en cement en andere metselwerkproducten en
- arseen en chroom van chemisch behandeld hout.

Risico op blootstellingen is sterk afhankelijk van de frequentie en de duur van de werkzaamheden. Om blootstelling te verminderen: werk in een goed geventileerde ruimte en werk met goedgekeurde veiligheidsuitrusting, zoals stofmaskers die speciaal zijn ontworpen om microscopisch kleine deeltjes uit te filteren.

Dit geldt ook voor stof van andere materialen zoals sommige houtsoorten (zoals eiken- of beukenstof), metalen, asbest. Andere bekende aandoeningen zijn bijv. allergische reacties en aandoeningen van de luchtwegen. Zorg altijd voor het voorkomen van inademing van stof bij de werkzaamheden.

Neem de relevante richtlijnen en nationale voorschriften voor uw materiaal, personeel, toepassing en plaats van toepassing in acht (bijv. Arbo-voorschriften, verwijdering).

Zorg zoveel mogelijk voor bronafzuiging waarbij wordt voorkomen dat stof buiten het directe werkgebied treedt.

Gebruik bij werkzaamheden aan specifiek gevaarlijke stoffen geschikte bescherming en accessoires. Op deze manier komen er minder deeltjes op een ongecontroleerde manier in het milieu.

Gebruik een geschikte afzuigunit.

Verminder blootstelling aan stof door middel van de volgende maatregelen:

- voorzie bronafzuiging waardoor direct contact met stof wordt vermeden.
- gebruik een afzuigunit en/of luchtreinigers.
- zorg voor een goede ventilatie van de werkplaats en houd deze schoon met behulp van een stofzuiger. Vegen of blazen doet stof opwaaien.
- stofzuig of was de beschermende kleding. Afblazen, kloppen of borstelen wordt afgeraden.

5. Eerste gebruik



Zorg ervoor dat de juiste accu op het apparaat is geplaatst. Specifieke informatie staat op het label onderop het instrument.



Installeer altijd 18V en volledig opgeladen accu's.

5.1 De trillingsdempende handgreep bevestigen



Werk altijd met de meegeleverde en trillingsdempende handgreep.(4)! Bevestig de handgreep aan de boven- of onderkant van de machine, afhankelijk van de werkpositie, en zet hem vast. Zie **Figuur 5**.



Figuur 5

5.2 De beschermkap bevestigen

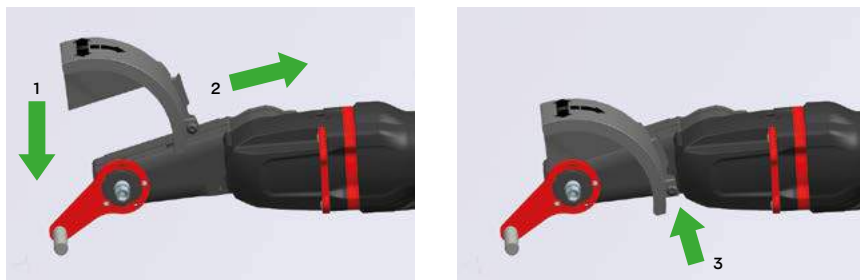


Werk altijd met de bevestigde beschermkap (7).

Installeren:

Schuif de beschermkap (7) over de nokken aan de voorkant, zoals hieronder weergegeven, en zet vast door de schroef aan de zijkant vast te draaien.

Zie **Figuur 6**.



Figuur 6

6. Het adaptersysteem monteren



Koppel de accu los van het apparaat voordat u de borstel of het adaptersysteem vervangt. De machine moet uitgeschakeld zijn en de spil moet stilstaan.

6.1 Het accessoire plaatsen

Zie onderstaande afbeelding (**Figuur 7**).

- a. Bevestig de Bristle Blaster®-borstel correct aan het gereedschap met behulp van het bijbehorende MontiPower®-adaptersysteem (let op de draairichting) en de bijbehorende gekartelde borgring en schroef.





Figuur 7

- b. Gebruik voor de Bristle Blaster® RVS borstel alleen de RVS Accelerator Bar.
- c. Voordat u de accu bevestigt om het gereedschap te bedienen, moet u controleren of het mogelijk is om de dodemansknop correct te bedienen en de knop terugkeert naar de "UIT" -stand, wanneer u de op de dodemansknop loslaat.
- d. Om het gereedschap te starten, beweegt u de veiligheidspal naar achteren en drukt u gelijktijdig de dodemansknop in. **(Figuur 8).**



Figuur 8

- e. Om het gereedschap te stoppen, laat u eenvoudig de dodemansknop los. Zorg er bij het plaatsen van de accu voor dat de dodemansknop niet is geactiveerd **(Figuur 9).**



Figuur 9

- f. Houd het gereedschap tegelijkertijd vast aan de behuizing en de verticale handgreep.
- g. Voor optimale prestaties moet u ervoor zorgen dat de Accelerator Bar zich op ongeveer 10 mm van het werkoppervlak bevindt. Als de Accelerator Bar te ver van het oppervlak verwijderd is, zal de prestatie aanzienlijk afnemen. Zie Figuur 4. Ga voor een gedetailleerdere omschrijving van de werking van de Bristle Blaster® naar www.montipower.com
- h. Werk altijd met voldoende contactdruk. Overmatige contactdruk zal ten koste gaan van de prestaties en schade aan de MontiPower Bristle Blaster®-borstel en tandriem veroorzaken.

7. Gebruik

7.1 Toerental instellen

De rotatiesnelheid is vooraf ingesteld en vastgezet op 2300 tpm voor optimale prestaties. De VTC-elektronica maakt materiaal-compatibel werken en een nagenoeg constant toerental mogelijk, ook onder belasting.

7.2 In- en uitschakelen



Bedien de machine altijd met beide handen.



Schakel eerst in en leid vervolgens het accessoire naar het werkstuk.

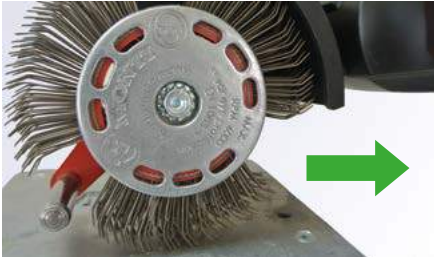


De machine mag geen extra stof en schaafsel aanzuigen. Houd de machine uit de buurt van stofophopingen bij het in- en uitschakelen. Zet de machine na het uitschakelen pas weer neer als de motor stilstaat.

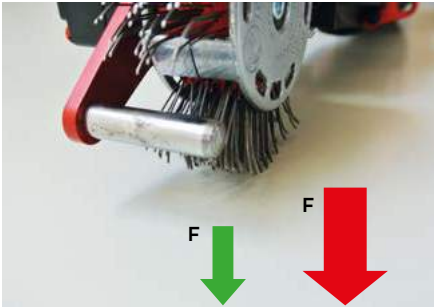
7.3 Werkinstructies



Druk lichtjes op de machine en beweeg met oscillerende bewegingen over het oppervlak.



Juiste bedieningsrichting.



Minder contactdruk = langere levensduur en hogere prestaties.

Overmatige druk leidt tot beschadiging van de Bristle Blaster®-borstel en zelfs tot het breken van de tandriem.

8. Reiniging

Reinigen van de motor: Houd de machine stevig vast en blaas regelmatig en krachtig perslucht door de ventilatiesleuven aan de achterkant van de machine, **Figuur 2**.

9. Problemen oplossen

9.1 Machines met accu:

- Overbelastingsbeveiliging: De belastingssnelheid neemt STERK af. De motortemperatuur is te hoog! Laat de machine stationair draaien totdat deze is afgekoeld.
- Overbelastingsbeveiliging: De belastingssnelheid neemt ENIGSZINS af. De machine is overbelast. Verlaag de belasting voordat u verder gaat met werken.
- S-automatische veiligheidsuitschakeling: De machine werd automatisch UITGESCHAKELD. Als de zwenking van de stroom te hoog is (bijvoorbeeld als de machine plotseling vastloopt of er een terugslag optreedt), schakelt de machine uit. Laat de dodemansknop los om de machine uit te schakelen. Schakel deze weer in en blijf normaal werken.
- De machine draait maar de Bristle Blaster®-borstel draait niet. De tandriem is gebroken of zwaar beschadigd en moet worden vervangen. Zie Hoofdstuk 11, Reparaties.
- Machine draait maar er ontstaat geen of beperkte ruwheid. De positionering van de Bristle Blaster®-borstel op het object is onjuist, of de Bristle Blaster®-borstel is versleten en moet worden vervangen.

10. Accessoires

Gebruik uitsluitend originele MontiPower®-accessoires.

Gebruik uitsluitend accessoires die voldoen aan de eisen en specificaties die in deze bedieningsinstructies worden vermeld. Zie voor een compleet assortiment accessoires www.montipower.com.

11. Reparaties



Reparaties aan elektrische gereedschappen mogen **UITSLUITEND** worden uitgevoerd door gekwalificeerde elektriciens! Neem contact op met uw plaatselijke MontiPower®-vertegenwoordiger, als u elektrisch gereedschap van MontiPower® hebt dat moet worden gerepareerd.

U kunt specifieke reparatie-instructies en een lijst met reserveonderdelen en assemblages downloaden van www.montipower.com.

12. Milieubescherming



Het stof dat vrijkomt tijdens het Bristle Blaster®-proces kan gevaarlijke stoffen bevatten: niet bij het huisvuil deponeren, maar bij een speciaal inzamelpunt voor gevaarlijk afval.

Neem de nationale voorschriften voor milieuvriendelijke verwijdering en voor het recyclen van afgedankte machines, verpakkingen en accessoires in acht. Alleen voor EU-landen: Deponeer elektrische gereedschappen en / of batterijen nooit bij het huisvuil! In overeenstemming met de Europese richtlijn 2012/19/EU betreffende afgedankte elektrische en elektronische apparatuur en de uitvoering ervan in nationale rechtsstelsels, moeten gebruikte elektrische gereedschappen afzonderlijk worden ingezameld en ingeleverd voor een milieuvriendelijke recycling.

13. Technische specificaties



Emissiewaarden

Deze waarden maken het mogelijk de emissies van het elektrische gereedschap te beoordelen en verschillende elektrische gereedschappen te vergelijken. Afhankelijk van de gebruiksomstandigheden, de toestand van het elektrische gereedschap of de accessoires, kan de werkelijke belasting hoger of lager zijn. Houd voor beoordelingsdoeleinden rekening met pauzes en perioden waarin de belasting lager is. Neem op basis van de aangepaste schattingen beschermende maatregelen voor de gebruiker, bijv. organisatorische maatregelen.

Totale trillingswaarde (vectorsom van drie richtingen) bepaald volgens EN 60745:

$a_{h,p}$ = trillingsemissiewaarde (polijsten)	$K_{h,p}$ = onzekerheid (trillingen)
Typische A-effectieve waargenomen geluidsniveaus:	L_{pA} = Geluidsdrukniveau
L_{WA} = Akoestisch vermogensniveau	K_{WA} = Onzekerheid

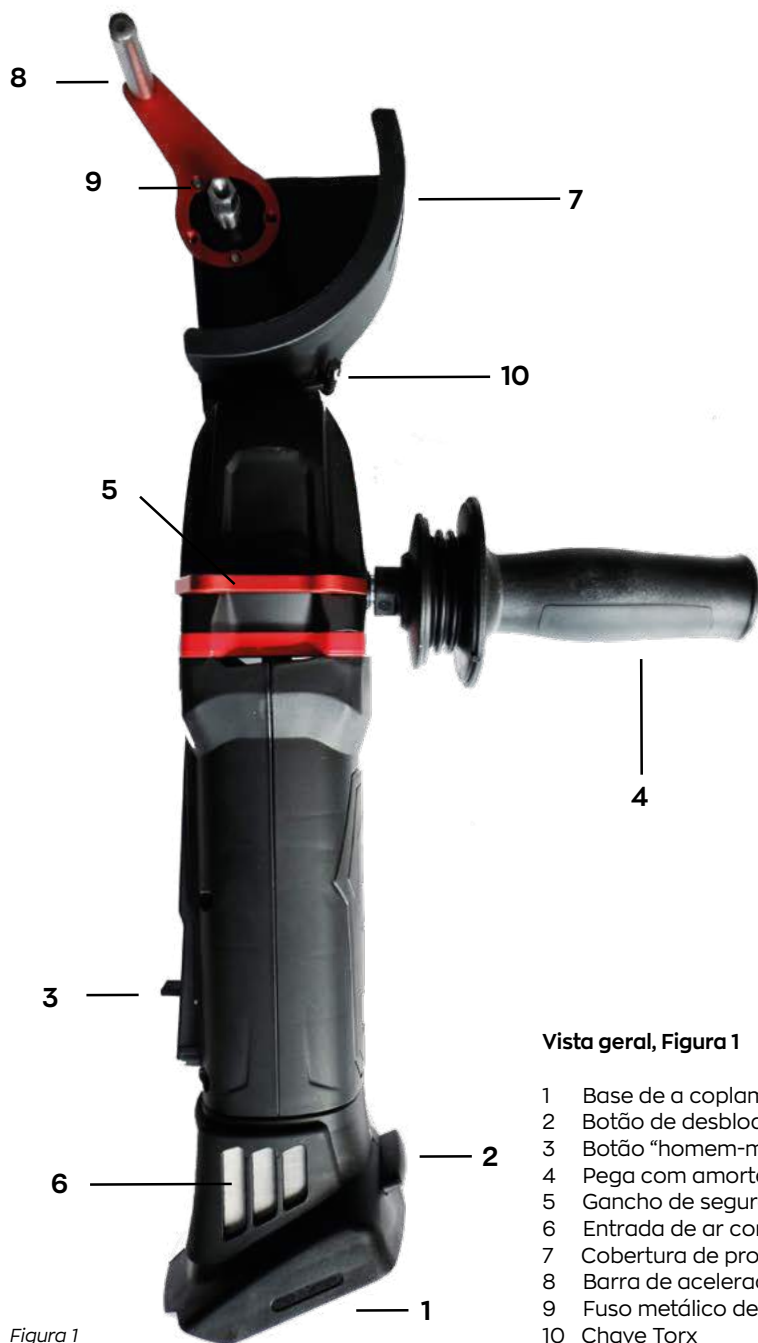
Tijdens bedrijf kan het geluidsniveau meer dan 80 dB (A) bedragen.

Draag gehoorbescherming!



Problemen, storingen:

In individuele gevallen kan de snelheid tijdelijk schommelen, wanneer de machine wordt blootgesteld aan extreme externe elektromagnetische storingen, of kan de elektronische herstartbeveiliging reageren. Schakel in dat geval de machine uit en weer in.

**Vista geral, Figura 1**

- 1 Base de a coplamento da bateria
- 2 Botão de desbloqueio da bateria
- 3 Botão "homem-morto"
- 4 Pega com amortecimento de vibrações
- 5 Gancho de segurança
- 6 Entrada de ar com tampa filtrante
- 7 Cobertura de proteção
- 8 Barra de aceleração
- 9 Fuso metálico de conexão de adaptador
- 10 Chave Torx

Figura 1

Caro cliente!

A MontiPower® agradece a compra de um dos seus produtos e convida-o a ler estas instruções de operação, que contêm todas as informações necessárias para uma utilização correta da ferramenta. Por isso, recomendamos ler as instruções na íntegra e seguir as informações nelas contidas. Mantenha o manual em boas condições. Os conteúdos deste manual podem ser alterados sem aviso prévio e sem implicação de quaisquer obrigações adicionais.

Por isso, quaisquer alterações / melhorias podem ser consideradas adições à presente versão. É proibida a cópia ou tradução de qualquer parte deste manual sem o consentimento prévio por escrito do fabricante.

Dados técnicos: Bristle Blaster® (*1) número de série)

Especificações	Valor e unidade
Peso	2,2 kg 4,9 lbs
Diâmetro da cinta (exterior)	110 mm
Potência	700 W
Binário	0.7 Nm
Velocidade de marcha lenta sem carga (±5%)	2300 rpm
Vibrações	4 m/sec ²
Bateria necessária, tensão	CAS (Cordless Alliance System), LiHD 18 V
Nível de pressão sonora	< 80 dB(A)



*2) 2006/42/EG, 2014/35/EU, 2014/30/EU

*3) DIN EN 60745-2-3 (VDE 0740-2-3)

Tradução das instruções originais**1. Declaração de conformidade**

Declaramos, a nossa responsabilidade: Estes Bristle Blasters®, identificados pelo tipo e número de série *1), cumprem todos os requisitos relevantes das diretivas *2) e normas *3).

2. Uso previsto

As máquinas, com acessórios MontiPower® originais, são adequadas para a preparação de superfícies, criando limpeza e perfil de ancoragem em simultâneo. A máquina pode ser equipada com a cinta padrão de 23 mm e com a cinta de 11 mm. É necessário cuidado especial no que respeita a pressão de utilização de cintas de 11 + 23 mm.

A responsabilidade por quaisquer danos causados por utilização indevida é exclusivamente do utilizador. Devem ser observadas as normas de prevenção de acidentes geralmente válidas e as informações de segurança em anexo.

3. Instruções de segurança gerais



Para sua proteção e para a proteção da sua ferramenta elétrica, preste atenção a todas as partes do texto assinaladas com este símbolo!

AVISO – A leitura das instruções de operação reduz o risco de ferimentos.



AVISO: Leia todos os avisos e instruções de segurança. A inobservância dos avisos e instruções de segurança pode causar choques elétricos, incêndio e/ou ferimentos graves.



ConsERVE todas as instruções e informações de segurança para futura referência.

Se ceder a sua ferramenta elétrica, faça-a sempre acompanhar destes documentos.

4. Instruções de segurança especiais

4.1 Avisos de segurança comuns para o uso de ferramentas rotativas de impacto:

- a) Esta ferramenta elétrica destina-se a funcionar como ferramenta rotativa de impacto. Leia todos os avisos de segurança, instruções, ilustrações e especificações fornecidos com esta ferramenta elétrica. A inobservância das instruções seguintes pode causar choques elétricos, incêndio e/ou ferimentos graves.
- b) Não deve ser realizada com esta ferramenta qualquer outra operação que a preparação de superfícies por impacto rotativo / Bristle Blasting. O uso da ferramenta para operações para as quais não foi concebida pode causar um perigo e ferimentos.
- c) Use apenas cintas MontiPower Bristle Blaster® e sistemas de adaptador MontiPower® com esta ferramenta. Não use acessórios que não tenham sido especificamente concebidos e recomendados pelo fabricante da ferramenta. A possibilidade de conectar um acessório à sua ferramenta não é garantia de uma operação segura.
- d) Não use uma cinta ou sistema de adaptador Bristle Blaster®, sem antes inspecionar.
- e) Depois de substituir a cinta Bristle Blaster®, certifique-se que o sistema de adaptador está montado corretamente.
- f) Depois da montagem de acessórios, como o sistema de adaptador e a cinta Bristle Blaster®, retire sempre a chave Allen / Torx. Garanta sempre que retirou a chave Allen/ Torx antes de ligar a ferramenta.
- g) Ao colocar a ferramenta numa bancada ou no chão, a etiqueta deve ficar sempre voltada para cima.
- h) Quando a ferramenta não estiver a ser utilizada, desligue-a da fonte de alimentação e guarde-a em local seco adequado, para impedir o uso inadvertido ou não autorizado na ausência de um indivíduo autorizado.
- i) Ao usar a ferramenta, segure sempre a ferramenta pelo corpo e pela pega vertical.
- j) Utilize a cinta Bristle Blaster® na direção de operação correta (figura 3).
- k) A cinta Bristle Blaster® pode produzir faíscas ao maquinar superfícies duras.
- l) Se a ferramenta apresentar um comportamento diferente (nível de vibração) ou produzir um ruído diferente (nível), a ferramenta deve ser desligada imediatamente e os acessórios, como o sistema de adaptador ou a cinta Bristle Blaster® devem ser verificados quanto a danos.

- m) Utilize equipamento de proteção individual. Dependendo da aplicação, use viseira, óculos de proteção ou de segurança. Se indicado, utilize máscara contra pó, protetores auditivos, luvas e avental de oficina capaz de proteger contra pequenos fragmentos abrasivos ou pequenos fragmentos da peça de trabalho. A proteção ocular deverá proteger contra a projeção de detritos causados pelas diversas operações. A máscara contra pó ou respirador deve poder filtrar as partículas causadas pela sua operação. A exposição prolongada a ruídos de alta intensidade pode causar perda de audição.
- n) Mantenha outras pessoas a uma distância segura da área de trabalho. Qualquer pessoa que entre na área de trabalho deve usar equipamentos de proteção individual. Pode ocorrer projeção de fragmentos da peça de trabalho ou de um acessório danificado para além da área imediata dos trabalhos e causar ferimentos.
- o) Segure a ferramenta apenas pelas superfícies isoladas previstas para o efeito durante trabalhos em que a cinta Bristle Blaster® possa entrar em contacto com cablagens ocultas. O contacto da cinta Bristle Blaster® com um fio "vivo" pode conduzir tensão às peças metálicas expostas da ferramenta e causar um choque elétrico ao operador.
- p) Nunca pouse a ferramenta até que o acessório fique completamente imobilizado. O acessório rotativo pode aderir à superfície e fazer mover a ferramenta sem que a consiga controlar.
- q) Não transporte uma ferramenta elétrica em funcionamento. O contacto acidental com a cinta Bristle Blaster® em rotação pode prender a sua roupa e puxar o acessório de encontro ao seu corpo.
- r) Garanta que a tampa filtrante das aberturas de ventilação está no devido lugar (**Figura 2**). A tampa filtrante das aberturas de ventilação pode ser retirada para limpeza puxando-a do corpo da ferramenta.
- s) Limpe regularmente as aberturas de ventilação da ferramenta (**Figura 2**). A ventoinha do motor atrai o pó para o interior da caixa e a acumulação excessiva de metal em pó pode causar riscos elétricos. A tampa das aberturas de ventilação pode ser retirada para limpeza. Use apenas objetos não metálicos.
- t) Não opere a ferramenta junto de materiais inflamáveis. Estes materiais podem ser inflamados por faíscas.
- u) Não use líquidos de refrigeração. O uso de água ou líquidos de refrigeração pode causar eletrocussão ou choques.

4.2 Recuo e avisos relacionados

O recuo é uma reação súbita a uma roda em rotação que pode causar a imobilização rápida da cinta Bristle Blaster® rotativa, o que, por sua vez leva a que a ferramenta descontrolada seja forçada na direção oposta à da rotação da cinta Bristle Blaster®.

- a) Segure a ferramenta com firmeza e posicione o seu corpo e braço de forma a que possa a resistir às forças de recuo. Use sempre uma pega auxiliar, se fornecida, para o máximo de controlo do recuo ou reação de binário durante o arranque. O operador pode controlar as reações de binário ou recuo se tomar medidas adequadas.
- b) Nunca aproxime a mão junto da cinta Bristle Blaster®. O acessório pode recuar para a sua mão.
- c) Não posicione o corpo na área de movimento da ferramenta em caso de recuo. O recuo irá impulsionar a ferramenta na direção oposta ao movimento da cinta Bristle Blaster® ao ponto de ficar presa.

- d) Use especial cuidado ao trabalhar em cantos, arestas afiadas, etc. Evite balançar e prender a cinta Bristle Blaster®. Os cantos, arestas afiadas ou balanços têm tendência a prender a cinta Bristle Blaster® em rotação e causar perda de controle sobre o recuo, danificar a cinta Bristle Blaster® ou mesmo partir a cinta dentada.
- e) Não monte quaisquer outras cintas ou sistemas de adaptador não fornecidos pelo fabricante.



Figura 2



Figura 3



Figura 4



4.3 Instruções de segurança adicionais



AVISO – Use sempre óculos de proteção.

- Os acessórios devem ser armazenados e manuseados com cuidado, de acordo com as instruções do fabricante.
- A peça de trabalho deve estar bem assente e fixa contra deslizamento, p. ex., através de grampos. As peças de trabalho de grandes dimensões devem estar suficientemente apoiadas.
- As ferramentas danificadas, excêntricas ou com vibração não podem ser utilizadas.
- Desligue a bateria antes de quaisquer ajustes, conversões ou manutenção na máquina.
- Uma pega danificada ou rachada deve ser substituída. Nunca opere a máquina com uma pega danificada.
- Uma cobertura de proteção danificada ou rachada deve ser substituída.

Redução da exposição a pó:



AVISO: Algum do pó criado pelo processo MontiPower® Bristle Blasting pode conter produtos químicos que se sabem causar cancro, mal-formações congénitas ou outros danos à saúde reprodutiva.

Alguns exemplos destes produtos químicos são:

- chumbo de tintas à base de chumbo,
- cristais de sílica de tijolos, cimento e outros produtos de alvenaria e
- arsénio e crómio de madeira sujeita a tratamento químico.

O risco de exposição depende da frequência deste tipo de trabalhos. Para reduzir a sua exposição a estes produtos químicos: trabalhe em áreas bem ventiladas e utilize equipamentos de proteção homologados, como máscaras contra pó especificamente desenvolvidas para filtrar partículas microscópicas.

Isto também se aplica a pó de outros materiais, como alguns tipos de madeira (como carvalho ou faia), metais, amianto. Outras doenças conhecidas são, p. ex., reações alérgicas, doenças respiratórias. Não permita que o pó entre no corpo.

Respeite as diretivas relevantes e regulamentos nacionais aplicáveis ao seu material, pessoal e local de aplicação (p. ex., regulamentos de saúde ocupacional e segurança, eliminação).

Recolha as partículas geradas na fonte e evite depósitos na área envolvente. Utilize acessórios adequados para trabalhos especiais. Desta forma, são libertadas menos partículas para o meio ambiente de forma descontrolada.

Utilize uma unidade de extração adequada.

Reduza a exposição ao pó com as seguintes medidas:

- não direcione a descarga de partículas e o fluxo de ar de exaustão para si, para outras pessoas ou depósitos de pó,
- use uma unidade de extração e/ou purificadores do ar.
- garanta uma boa ventilação do local de trabalho e mantenha-o limpo, utilizando um aspirador de pó, dado que a limpeza com vassoura ou sopro levanta pó.
- Limpe o vestuário de proteção com vácuo ou lave-o. Não sobre, bata ou escove.

5. Operação inicial



Certifique-se que a bateria correta está montada na unidade. A etiqueta situada no lado inferior da ferramenta contém informações específicas.



Instale sempre baterias de 18 V e completamente carregadas.

5.1 Montagem da pega com amortecimento de vibrações



Trabalhe sempre com a pega com amortecimento de vibrações (4) montada! Monte a pega no lado superior ou inferior da máquina, dependendo da posição de trabalho e fixe. Ver **Figura 5**



Figura 5

5.2 Montagem da cobertura de proteção



Trabalhe sempre com a cobertura de proteção (7) montada!

Instalação:

Faça deslizar a cobertura de proteção (7) sobre os cames da extremidade dianteira, conforme ilustrado abaixo, e fixe-a apertando o parafuso na lateral. Ver **Figura 6**

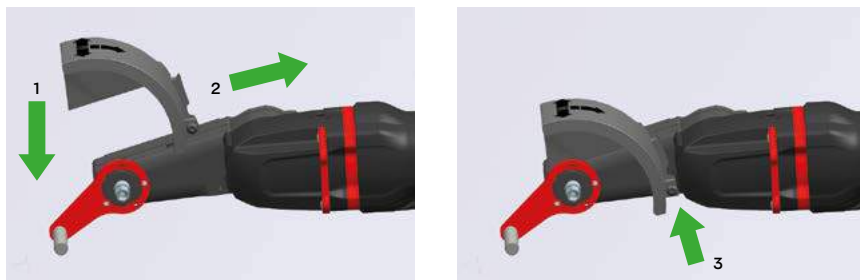


Figura 6

6. Montagem do sistema de adaptador



Desligue a bateria da unidade antes de trocar a cinta ou o sistema de adaptador. A máquina deve estar desligada e o fuso deve estar imobilizado.

6.1 Posicionamento do acessório

Veja a ilustração abaixo (figura 7).

- a. Fixe corretamente a cinta Bristle Blaster® à ferramenta, utilizando o respetivo sistema de adaptador MontiPower® (preste atenção ao sentido de rotação), a anilha de bloqueio serrilhada e o parafuso.





Figura 7

- b. Para cintas Bristle Blaster® em aço inoxidável, use apenas a barra de aceleração em aço inoxidável.
- c. Antes de montar a bateria para operação da ferramenta, deve verificar se é possível acionar corretamente o interruptor de homem morto e que o interruptor regressa à posição "OFF" quando liberta o interruptor de homem morto.
- d. Para ligar a ferramenta, deve soltar o clip de segurança, empurrando-o para trás e pressionar o interruptor de homem morto (**figura 8**).



Figura 8

- e. Para parar a ferramenta, basta parar de pressionar o interruptor de homem morto. Ao montar a bateria, certifique-se que o interruptor de homem morto não está ativado (**figura 9**).



Figura 9

- f. Segure a ferramenta pelo corpo e pela pega vertical em simultâneo.
- g. Para o melhor desempenho, garanta que a barra de aceleração seja mantida a aproximadamente 10 mm da superfície de trabalho. Se a barra de aceleração estiver demasiado afastada da superfície, o desempenho será significativamente inferior. Ver Figura 4. Para uma descrição mais detalhada do funcionamento da Bristle Blaster®, visite www.montipower.com
- h. Trabalhe sempre com a pressão de contacto correta. Demasiada pressão de contacto limitará o desempenho e causa danos na cinta MontIPower Bristle Blaster® e na cinta dentada.

7. Utilização

7.1 Definição da velocidade

A velocidade de rotação está predefinida e fixa a 2300 rpm para garantir o desempenho ideal. O sistema eletrónico VTC permite trabalhos compatíveis com o material a uma velocidade quase constante, mesmo sob carga.

7.2 Ligar e desligar



Guie a máquina sempre com as duas mãos.



Em primeiro lugar, ligue a ferramenta e, depois, guie o acessório na direção da peça de trabalho.



Não se deve permitir que a máquina atraia pó e limalhas adicionais. Ao ligar e desligar a ferramenta, mantenha-a afastada de depósitos de pó. Depois de desligar a máquina, pouse-a apenas depois de o motor parar completamente.

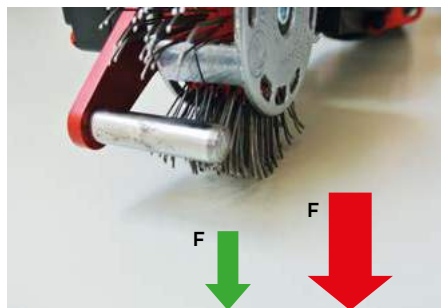
7.3 Instruções para o trabalho



Pressione ligeiramente a máquina e mova-a sobre a superfície fazendo movimentos oscilantes.



Direção de operação correta.



Menos pressão de contacto = maior vida útil e maior desempenho.

Note que a pressão excessiva causa danos na cinta Bristle Blaster® quebra da cinta dentada.

8. Limpeza

Limpeza do motor: Segurando firmemente a máquina, sobre ar comprimido pelas ranhuras de ventilação traseiras, com regularidade e minuciosamente, **Figura 2**.

9. Resolução de problemas

9.1 Máquinas a bateria:

- Proteção contra sobrecarga: Existe GRANDE redução da velocidade de carga. A temperatura do motor é demasiado alta! Permita que a máquina funcione em velocidade de marcha lenta sem carga até arrefecer.
- Proteção contra sobrecarga: Existe LIGEIRA redução da velocidade de carga. A máquina está sobrecarregada. Reduza a carga antes de continuar a trabalhar.
- Encerramento de segurança automático: A máquina foi DESLIGADA automaticamente. A máquina desliga se a taxa de variação da corrente for demasiado alta (por exemplo, se a máquina emperrar subitamente ou ocorrer um recuo). Solte o interruptor de homem morto para desligar a máquina. Volte a ligar e continue a trabalhar normalmente.
- A máquina está a funcionar mas a cinta Bristle Blaster® não roda. A cinta dentada está partida ou muito danificada e deve ser substituída. Consulte o capítulo 11. Reparação.
- A máquina funciona, mas não é criado desbaste ou apenas de forma limitada. O posicionamento da cinta Bristle Blaster® no objeto é incorreto ou a cinta Bristle Blaster® está desgastada e deve ser substituída.

10. Acessórios

Utilize apenas acessórios MONTI originais.

Utilize apenas acessórios que cumpram os requisitos e especificações indicados nestas instruções de operação. Para uma gama completa de acessórios, consulte www.montipower.com.

11. Reparação



A reparação de ferramentas elétricas deve ser realizada APENAS por eletricistas qualificados! Contacte o seu representante MontIPower® local se tiver ferramentas elétricas MontIPower® com necessidade de reparação.

Em www.montipower.com pode transferir instruções de reparação específicas e uma lista de peças sobresselentes.

12. Proteção ambiental



O pó criado pelo processo Bristle Blaster® pode conter materiais perigosos: não o elimine junto com o lixo doméstico, mas num ponto de recolha especial para resíduos perigosos.

Respeite as normas nacionais sobre a eliminação de resíduos ambientalmente correta e sobre a reciclagem de máquinas usadas, embalagens e acessórios. Apenas para países da UE: Nunca elimine ferramentas elétricas e as respetivas baterias junto com o lixo doméstico! De acordo com a diretiva europeia 2012/19/UE sobre equipamentos elétricos e eletrónicos usados e a sua implementação em sistemas jurídicos nacionais, as ferramentas elétricas usadas devem ser recolhidas separadamente e encaminhadas para reciclagem ambientalmente correta.

13. Especificações técnicas



valores de emissões

Estes valores permitem avaliar as emissões da ferramenta elétrica e comparar diferentes ferramentas. Dependendo das condições de operação, da condição da ferramenta ou dos acessórios, a carga real poderá ser superior ou inferior. Para efeitos de avaliação, permita intervalos e períodos de carga inferior. Com base nas estimativas ajustadas, empregue medidas de proteção para o utilizador, p. ex., medidas organizacionais.

O valor total das vibrações (soma vetorial de três direções) determinado de acordo com EN 60745:

$a_{h,p}$ = valor de emissão de vibrações (polimento)

Níveis sonoros percebidos com eficácia A típica:

L_{WA} = nível de potência acústica K_{pA} ,

$K_{h,p}$ = Incerteza (vibração)

L_{pA} = nível de pressão sonora

K_{WA} = incerteza

Durante a operação, o nível de ruído pode ultrapassar 80 dB(A).

Utilize proteção auditiva!



Problemas, avarias:

Em casos individuais, a velocidade pode flutuar temporariamente se a máquina for exposta a perturbações eletromagnéticas externas extremas ou a proteção de reinicialização eletrónica pode responder. Neste caso, desligue e volte a ligar a máquina.



**Konformitätserklärung
Declaration of Conformity
Déclaration de Conformité
Declaración de Conformidad**



**MONTI - Werkzeuge GmbH
Reisertstr. 21 | 53773 Hennef
Germany**

declare under our sole responsibility that this product
erklären in alleiniger Verantwortung, dass das Produkt
declaramos bajo nuestra sola responsabilidad, que este product
déclarons sous notre seule responsabilité que le produit
verklaren als enige verantwoordelijke dat het product
declaramos em responsabilidade exclusiva que o produto

BRISTLE BLASTER® CORDLESS 18V

to which this declaration relates is in conformity with the following standards
auf das sich diese Erklärung bezieht, mit den folgenden Normen übereinstimmt
referente a esta declaración, se encuentra en conformidad a los siguiente estándares
auquel se réfère cette declaration est conforme aux norms
waarop deze verklaring betrekking heeft, aan de volgende normen voldoet
ao qual o presente certificado se referencia, corresponde com as normas seguintes

DIN EN 60745-2-3:2014-02 (VDE 0740-2-3)

following the provisions of directives
gemäß den Bestimmungen der Richtlinien
dando seguimiento a las disposiciones de directivas
conformément aux dispositions de directives
volgens de bepalingen van de richtlijnen
de acordo com as disposições das directivas

2006/42/EG, 2014/35/EU, 2014/30/EU

MONTI - Werkzeuge GmbH

Hennef, 06.01.2021

Drs. J. F. Doddema
Chief Executive Officer & Partner



MontiPower - Part of Monti Group | MONTI - Werkzeuge GmbH
Reisertstr. 21 | 53773 Hennef | Germany
T +49 (0) 2242 9090 630 | www.montipower.com
info@montipower.com

52596 | V. 1001 | 2020.10